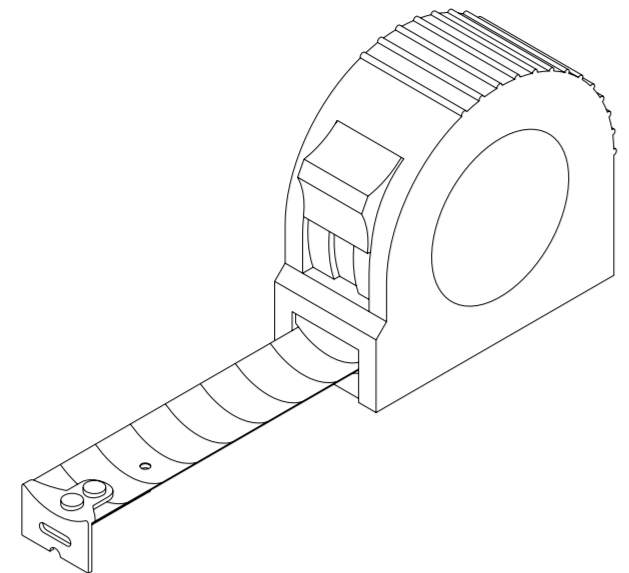
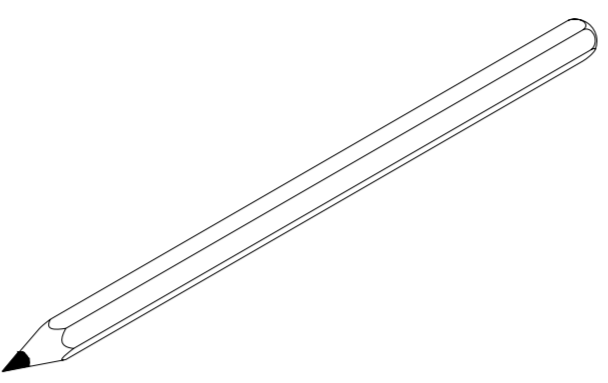
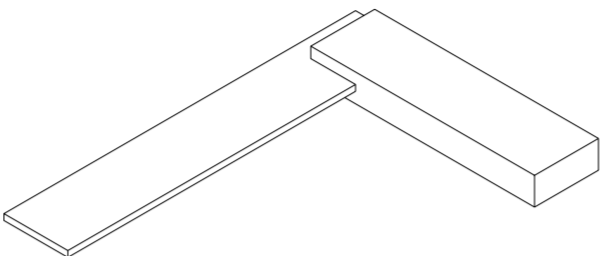
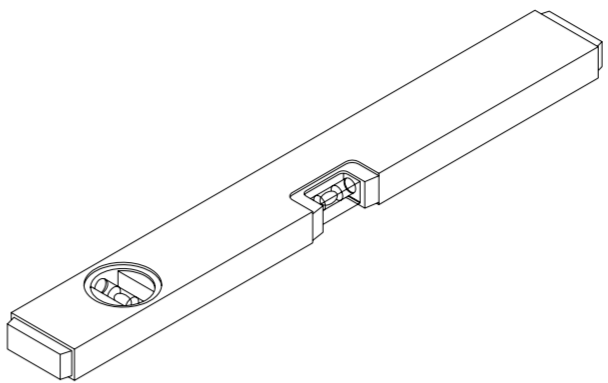
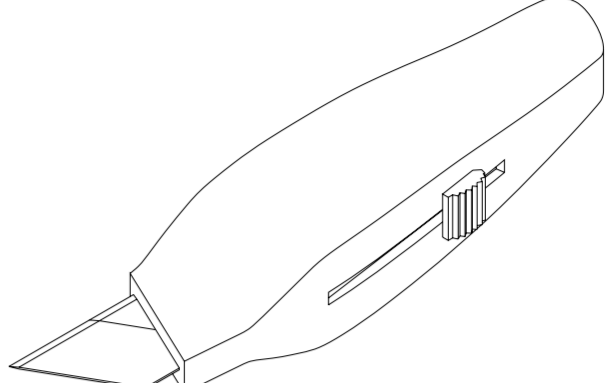
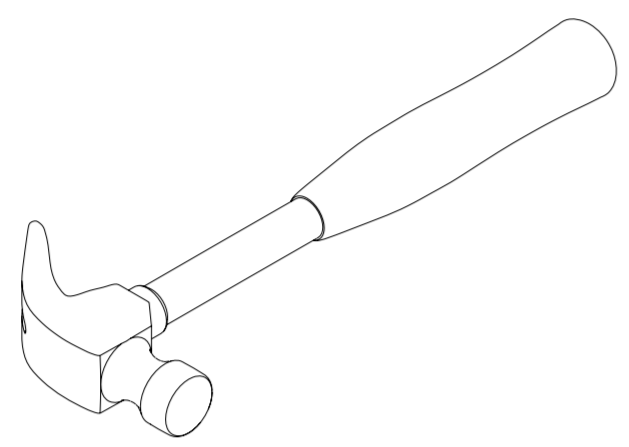
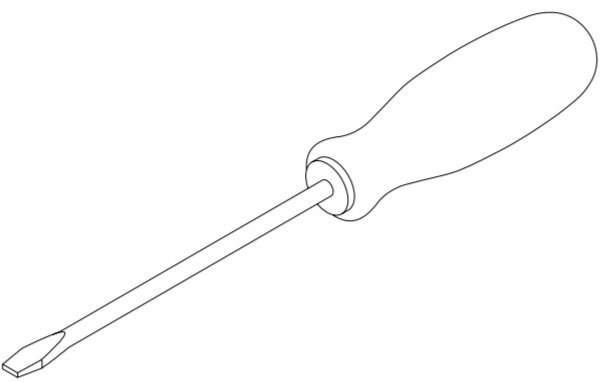
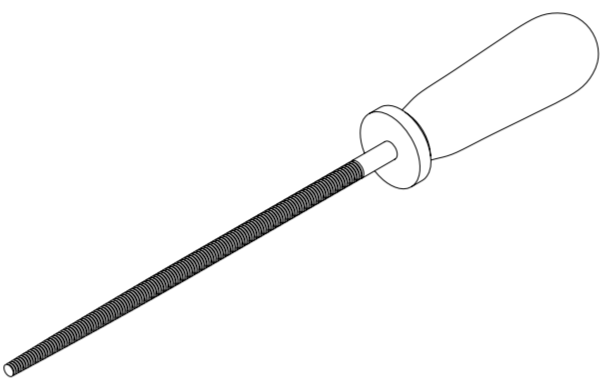
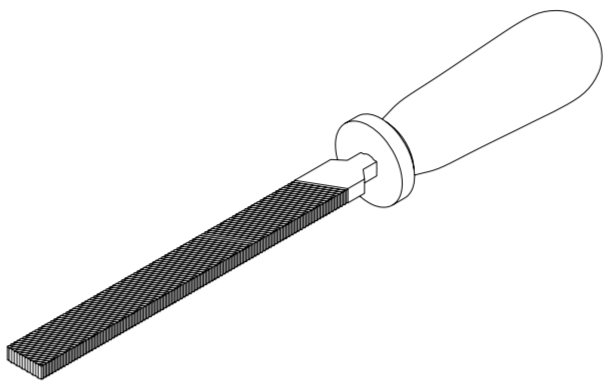
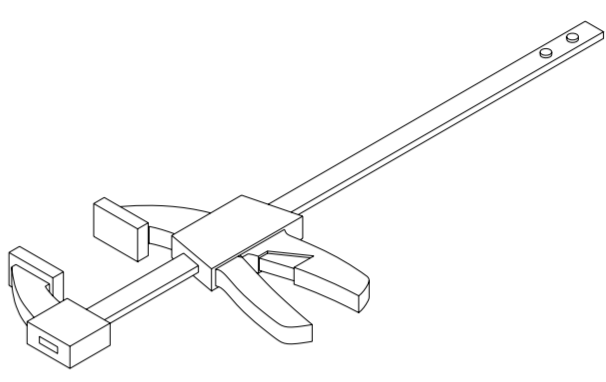
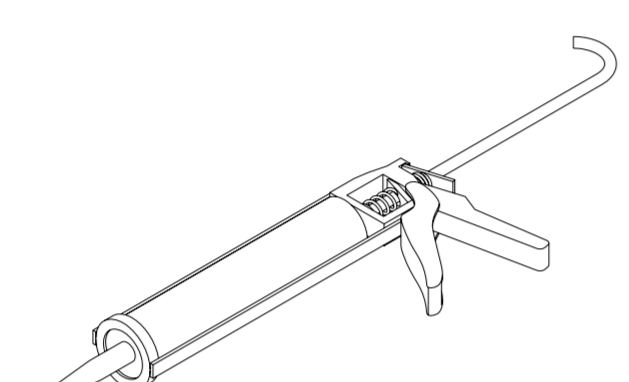
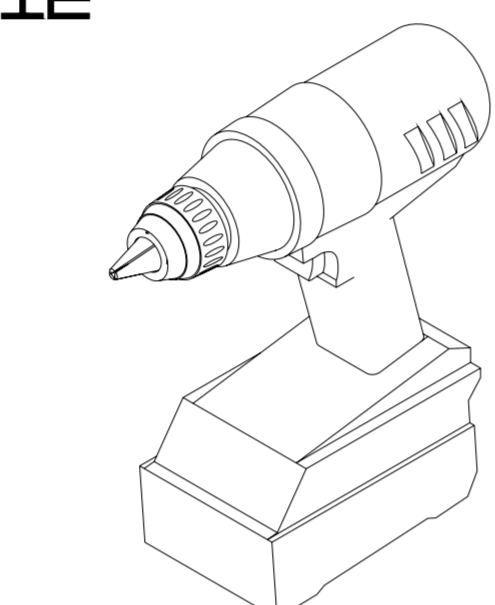
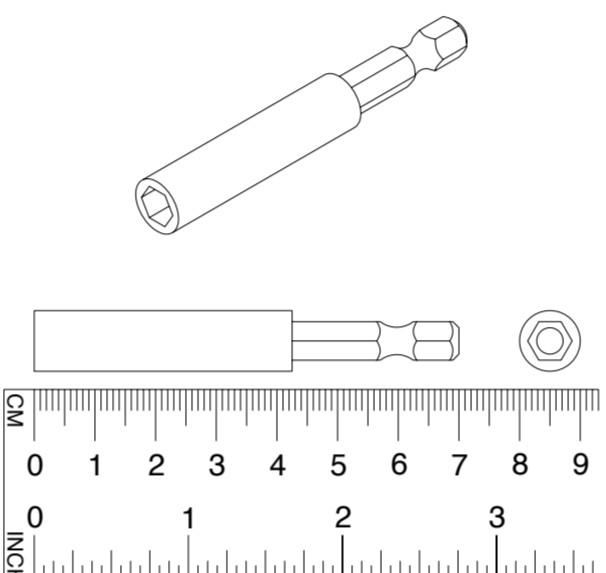
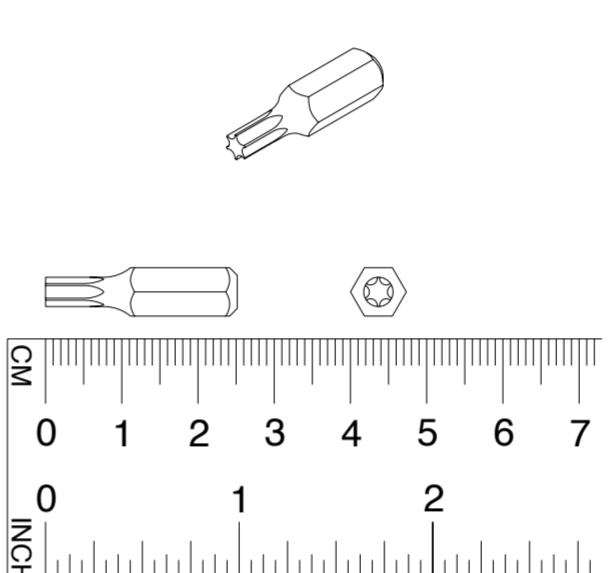
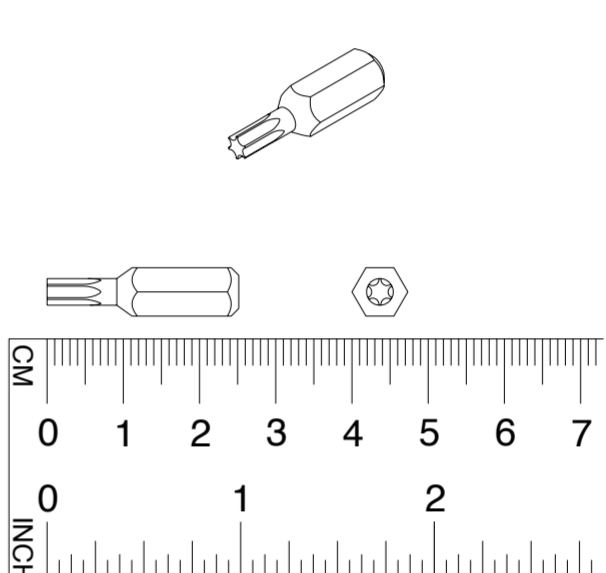
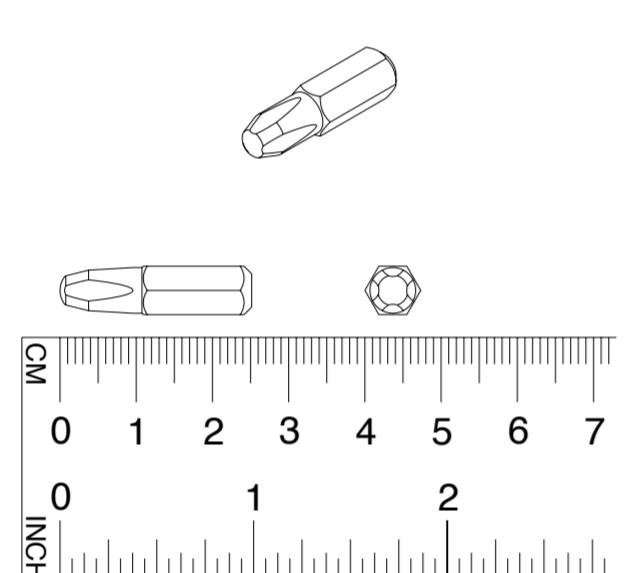
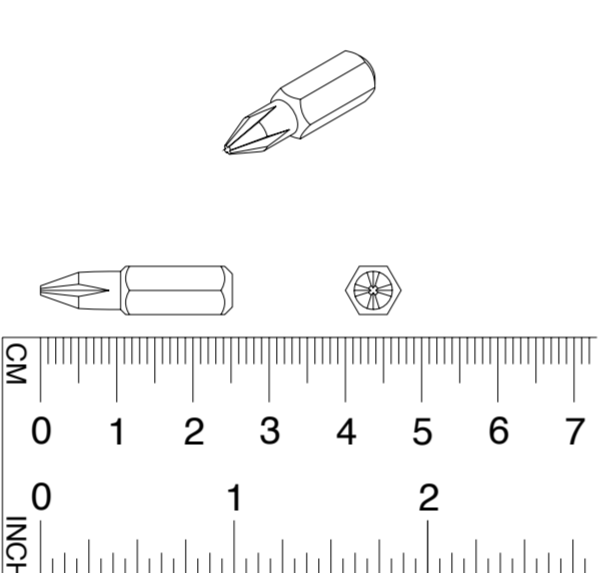
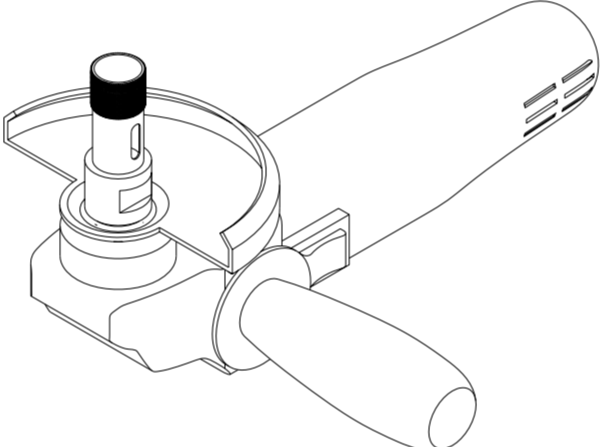
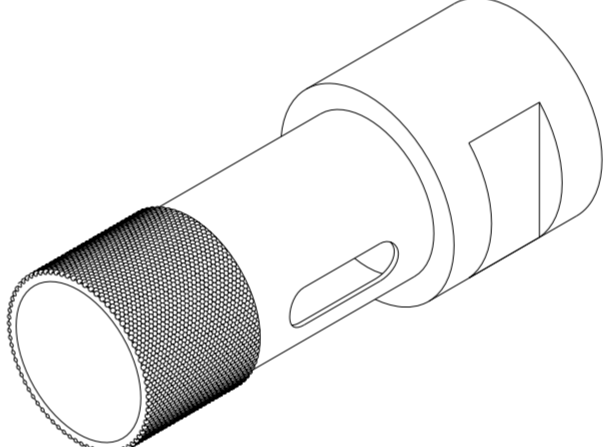
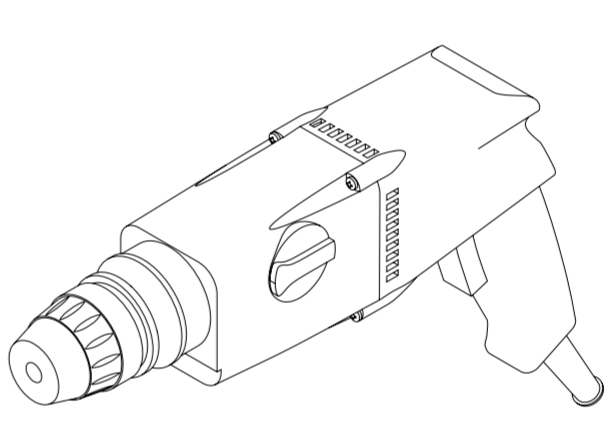
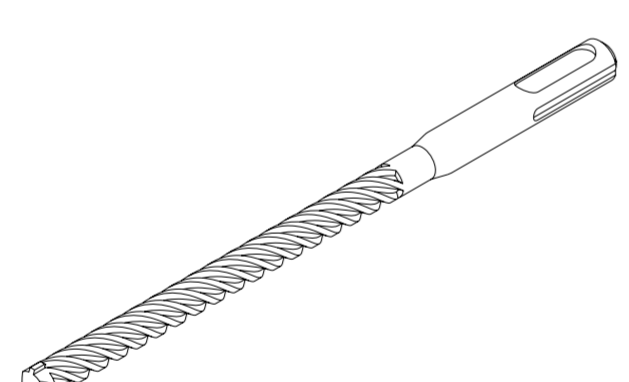
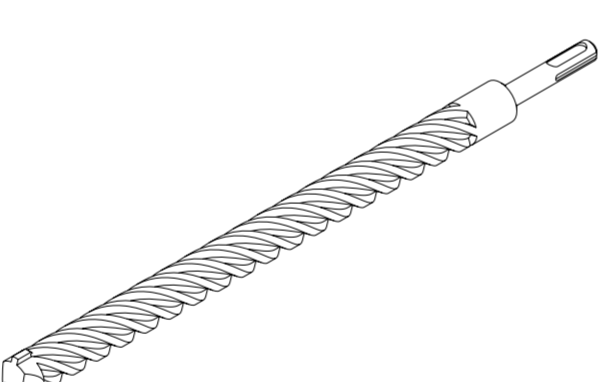
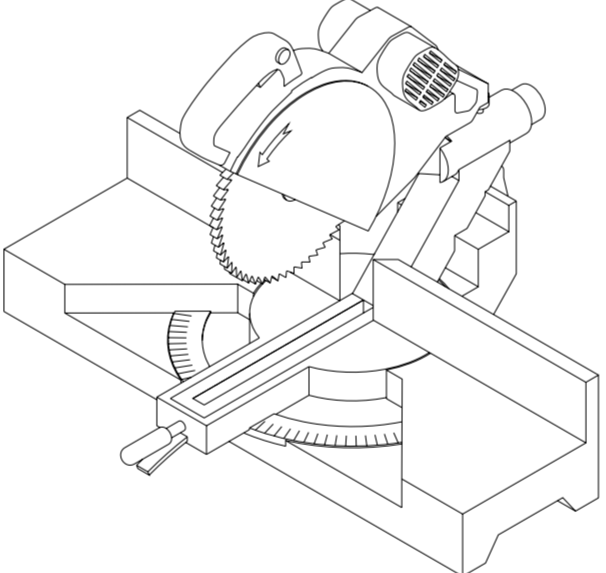

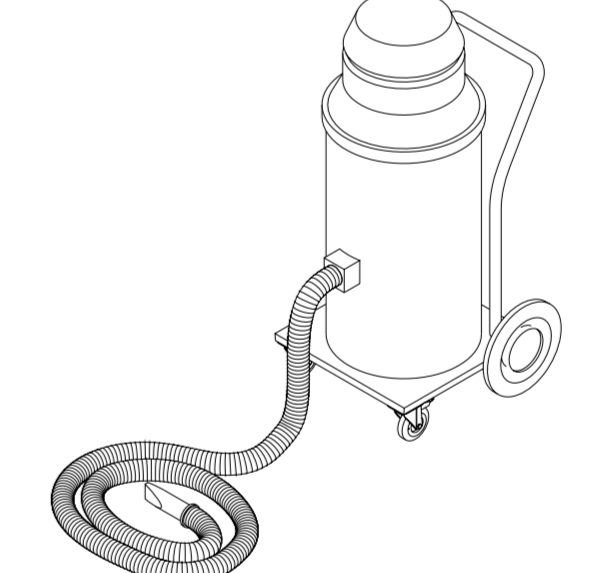
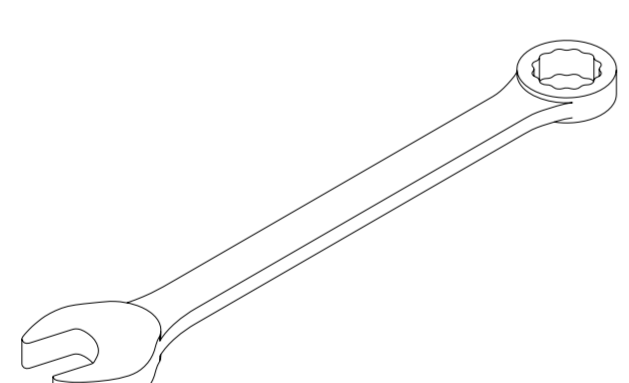
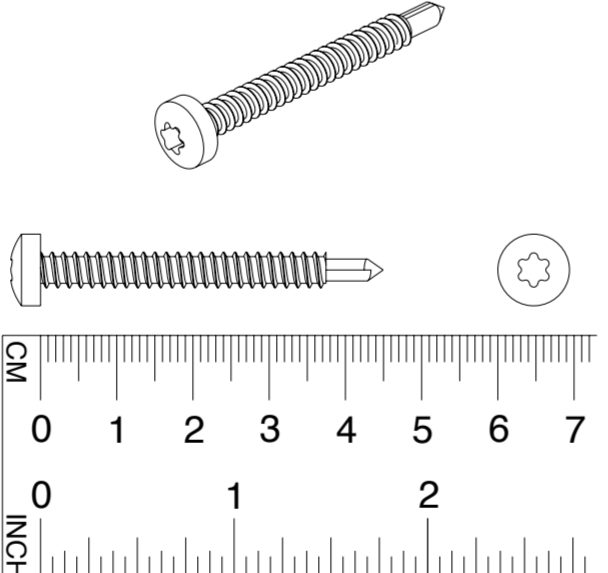
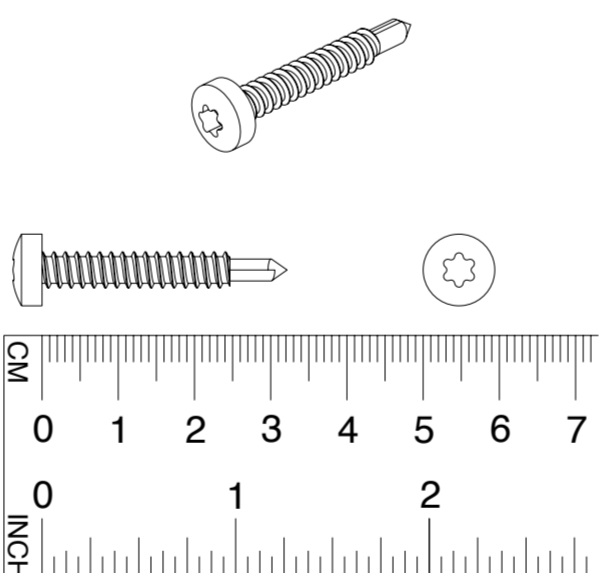
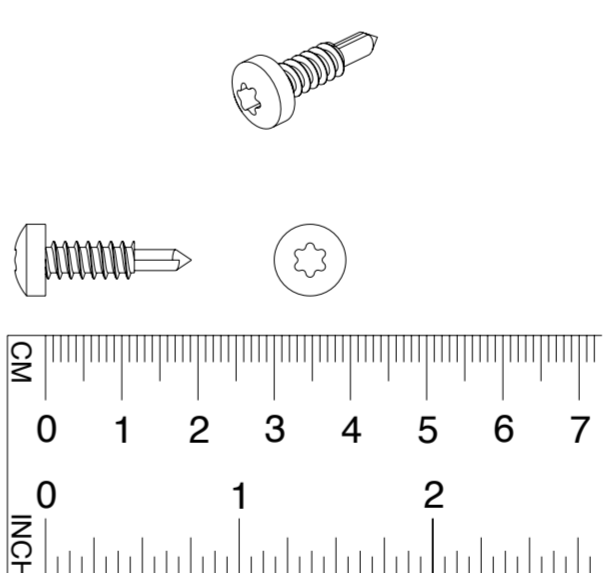
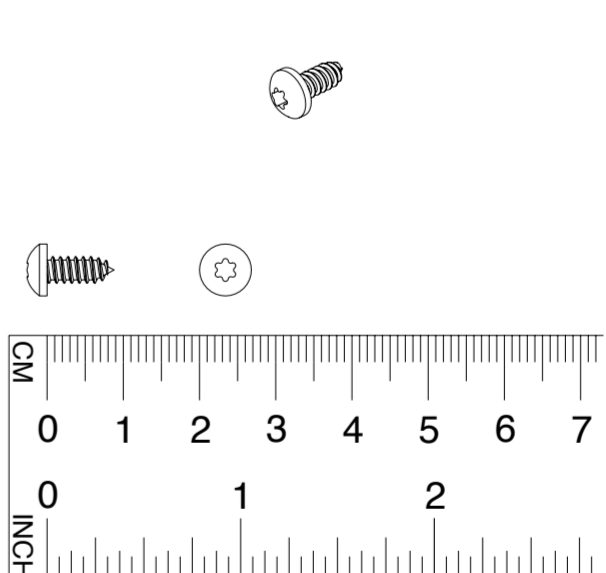
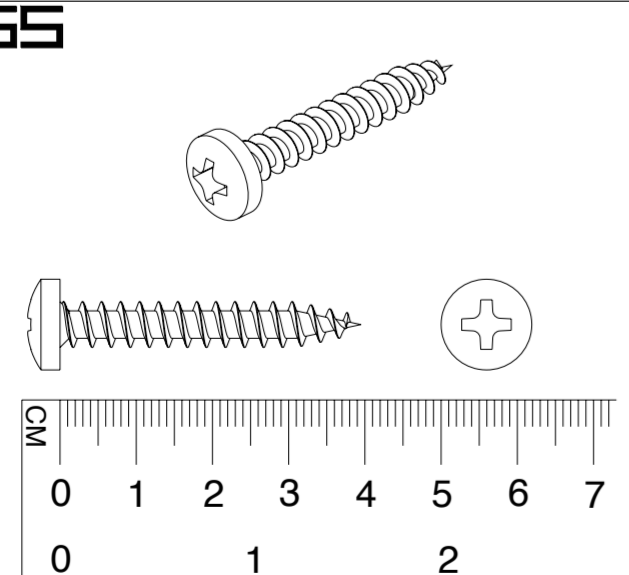
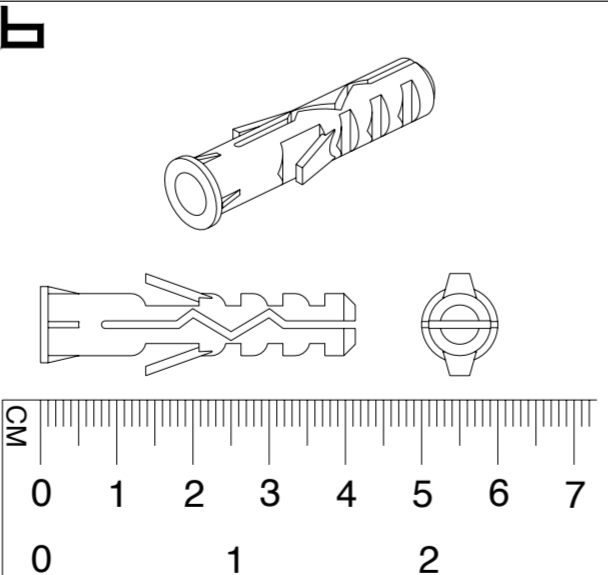
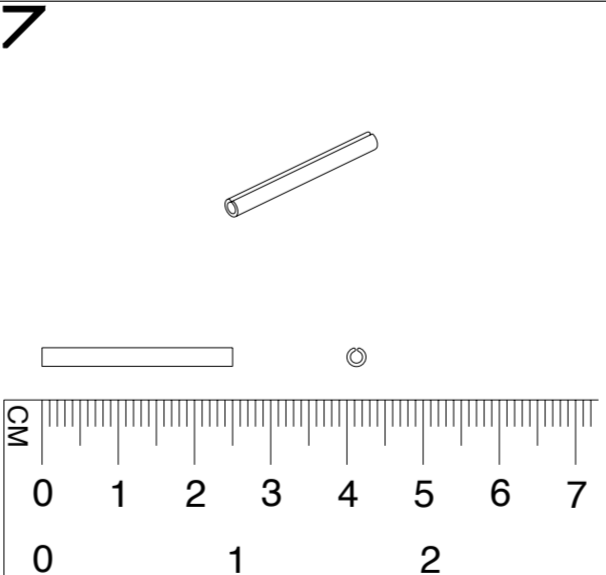
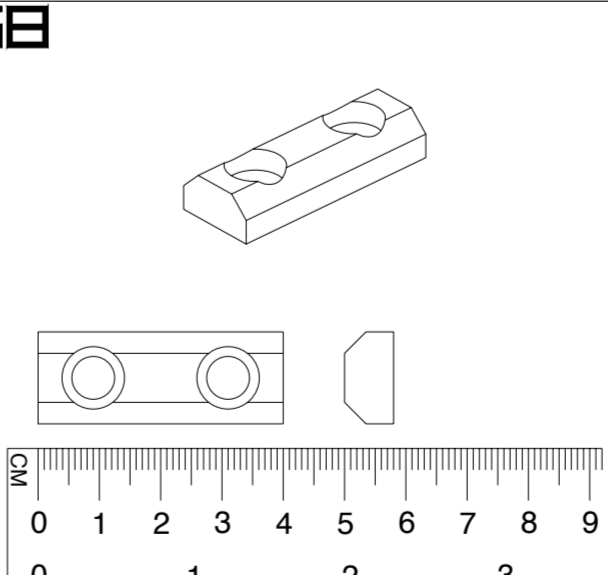
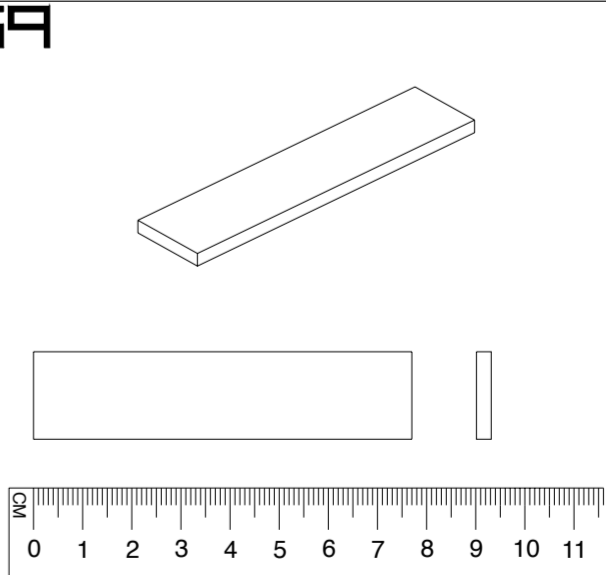
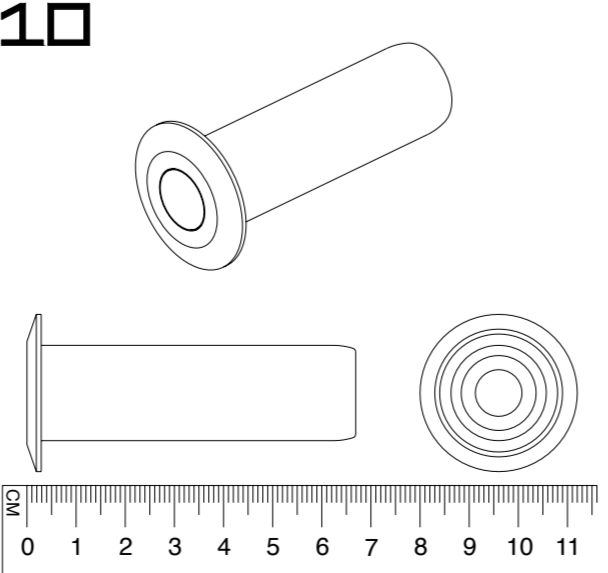
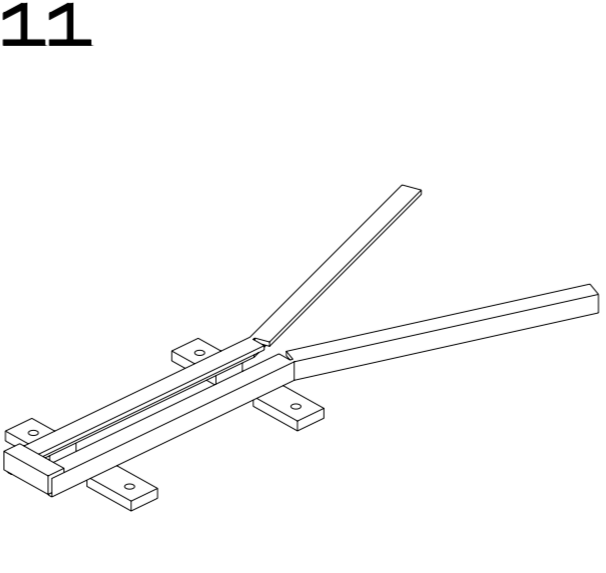
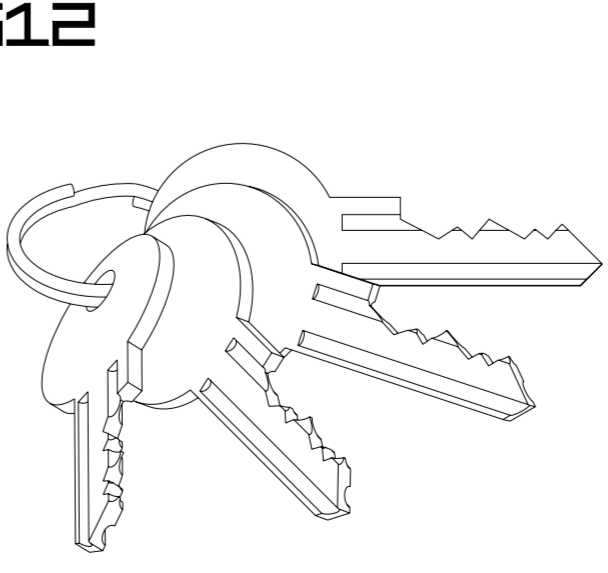
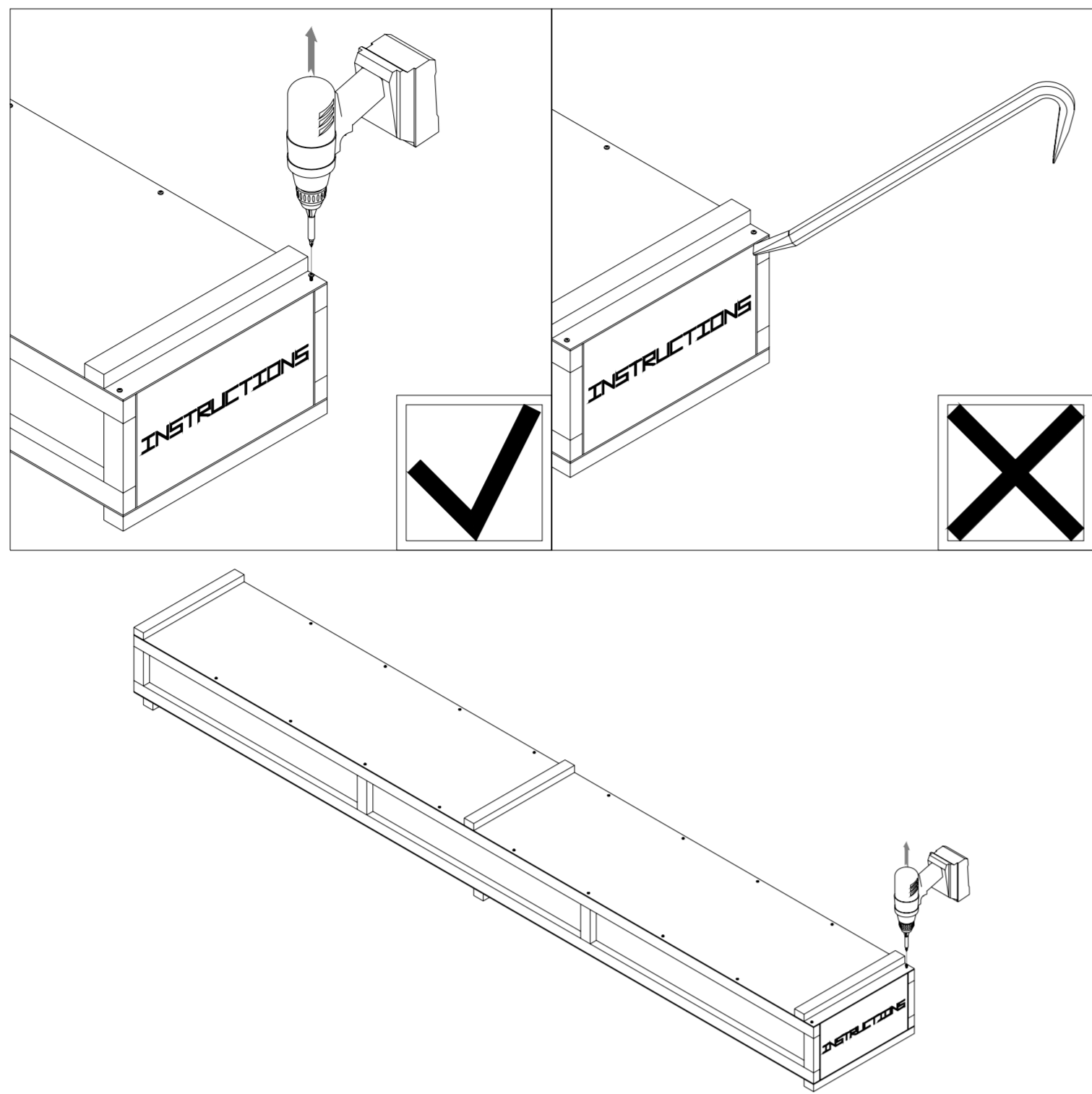


REF.: Installation Instructions

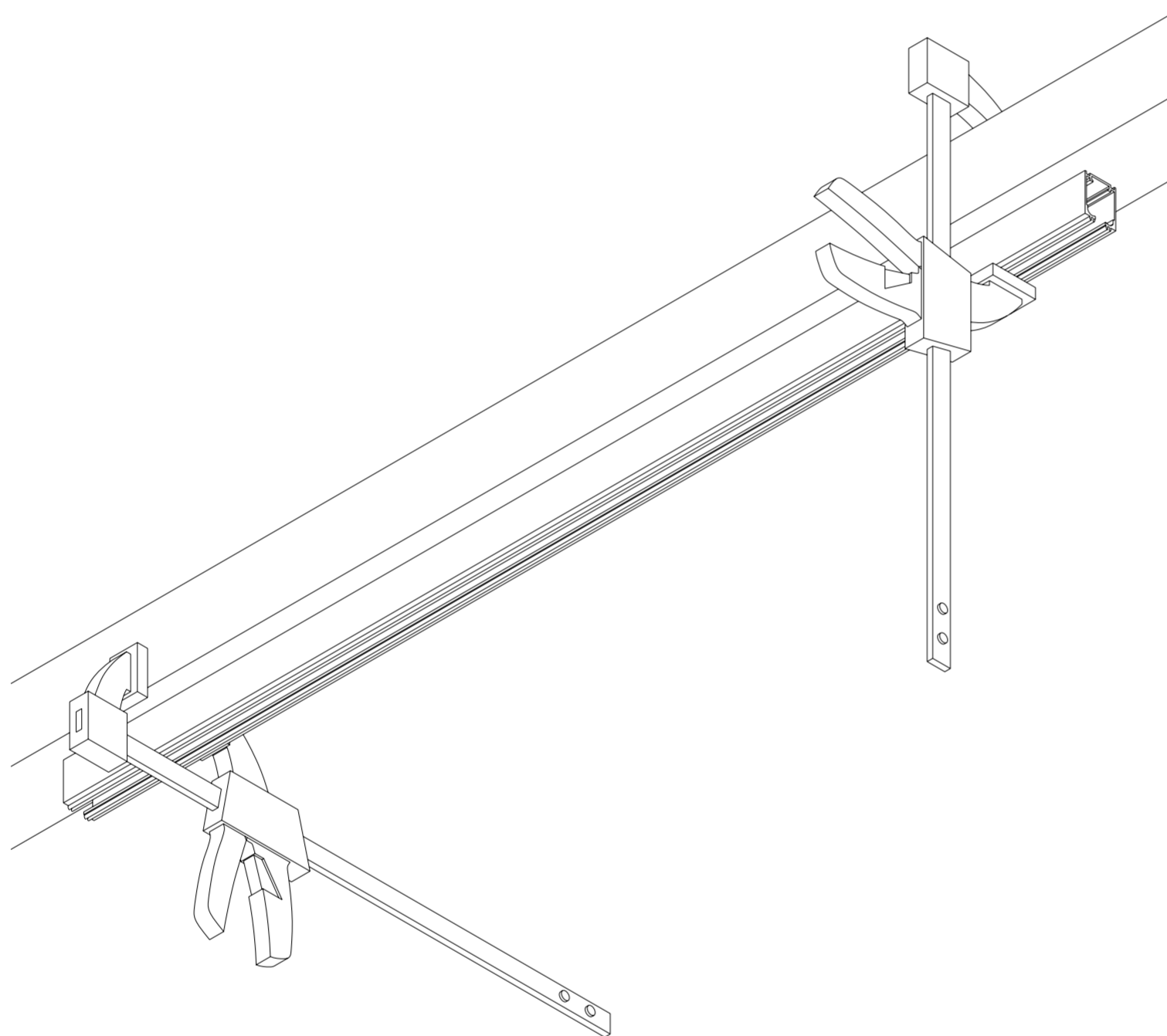
T1 	T2 	T3 	T4 	T5 
T6 	T7 	T8 	T9 	T10 
T11 	T12 	T13  Ø10	T14  T20	T15  T15
T16  SILICONE FH3	T17  FH1	T18 	T19  Ø20	T20 
T21  Ø20	T22  Ø8	T23 	T24 	T25 
T26  #10	S1 	S2 	S3 	S4 
S5 	S6 	S7 	S8 	S9 
S10 	S11 	S12 		

1



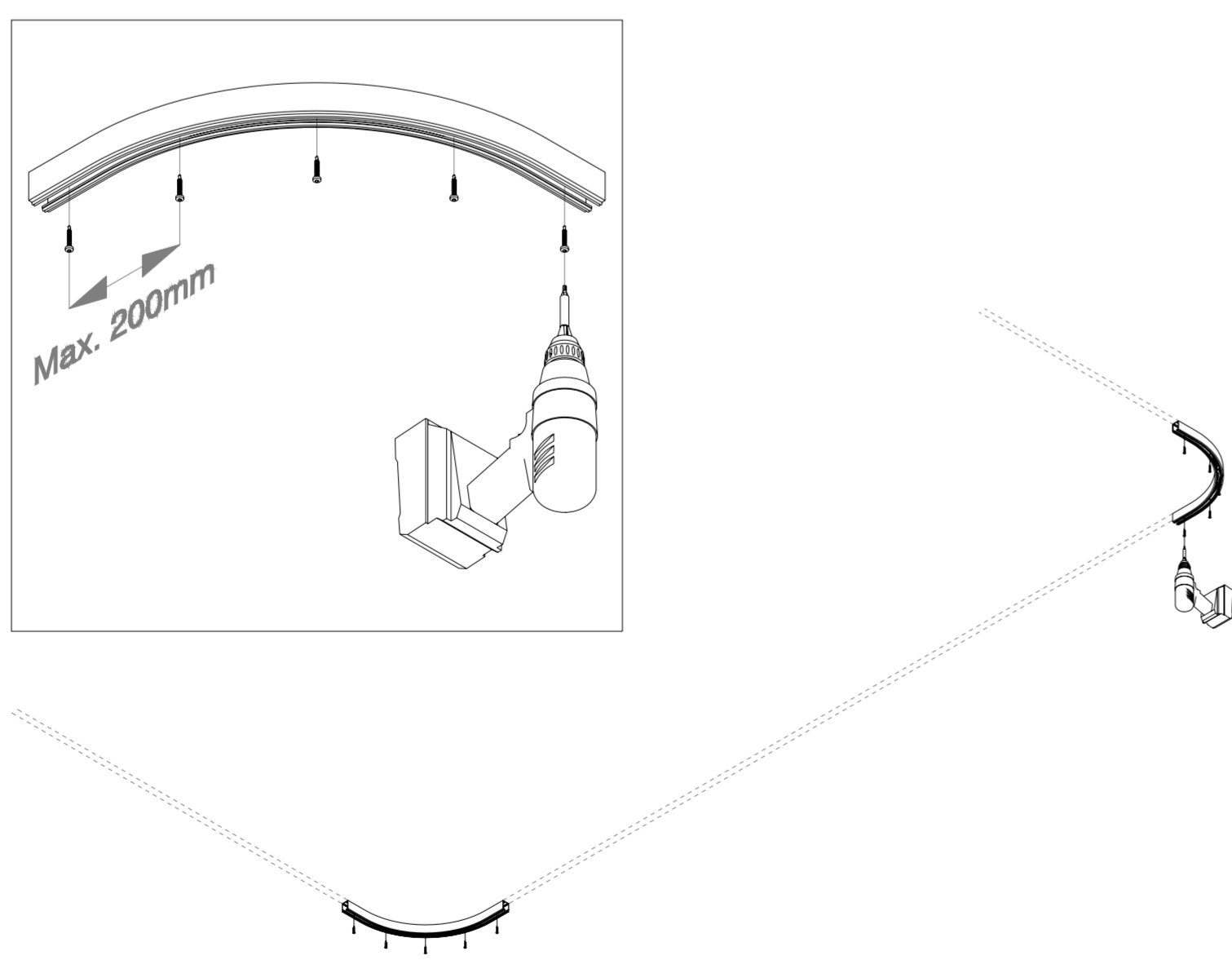
T12/T13/T17

3



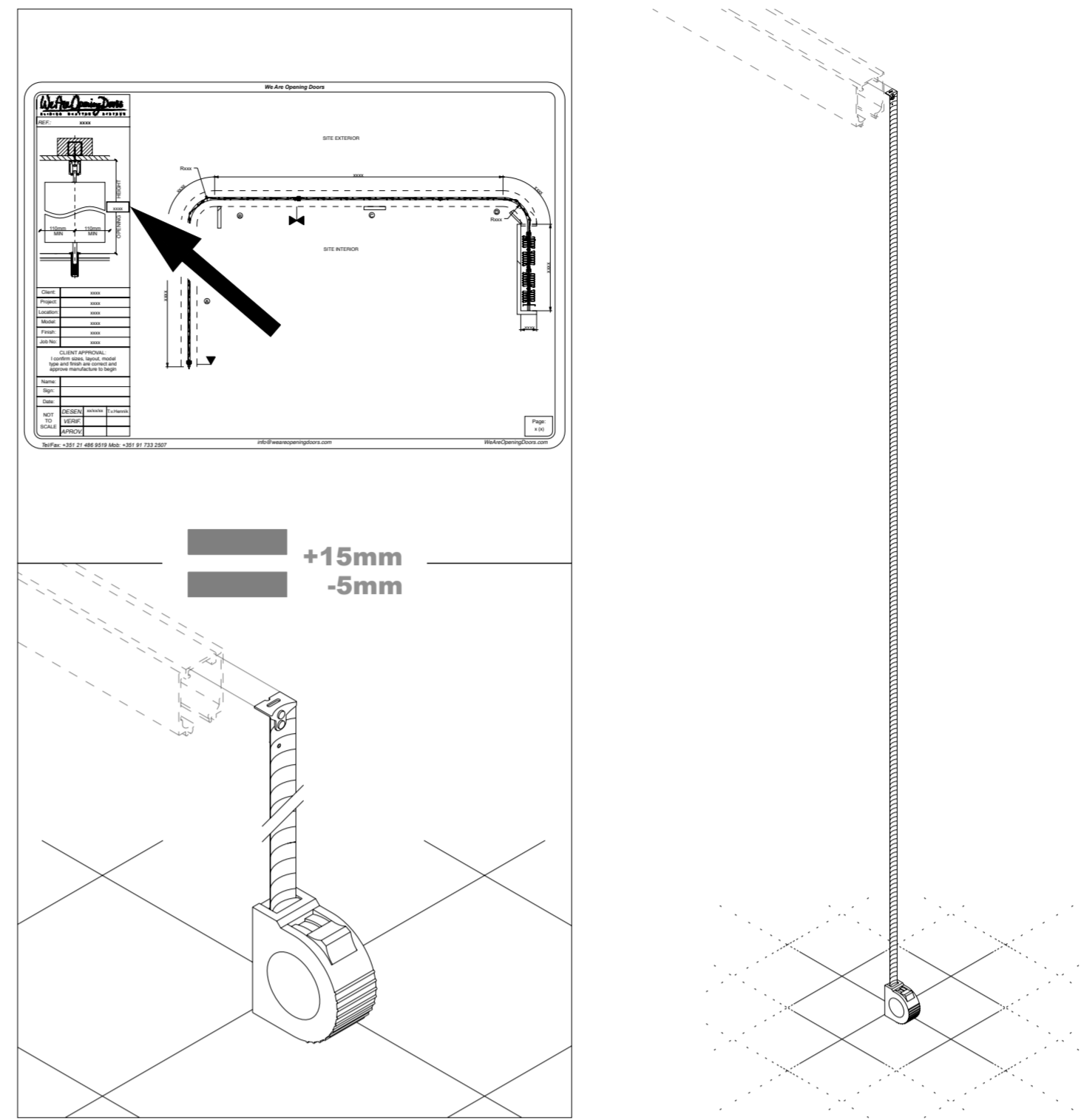
T10

5



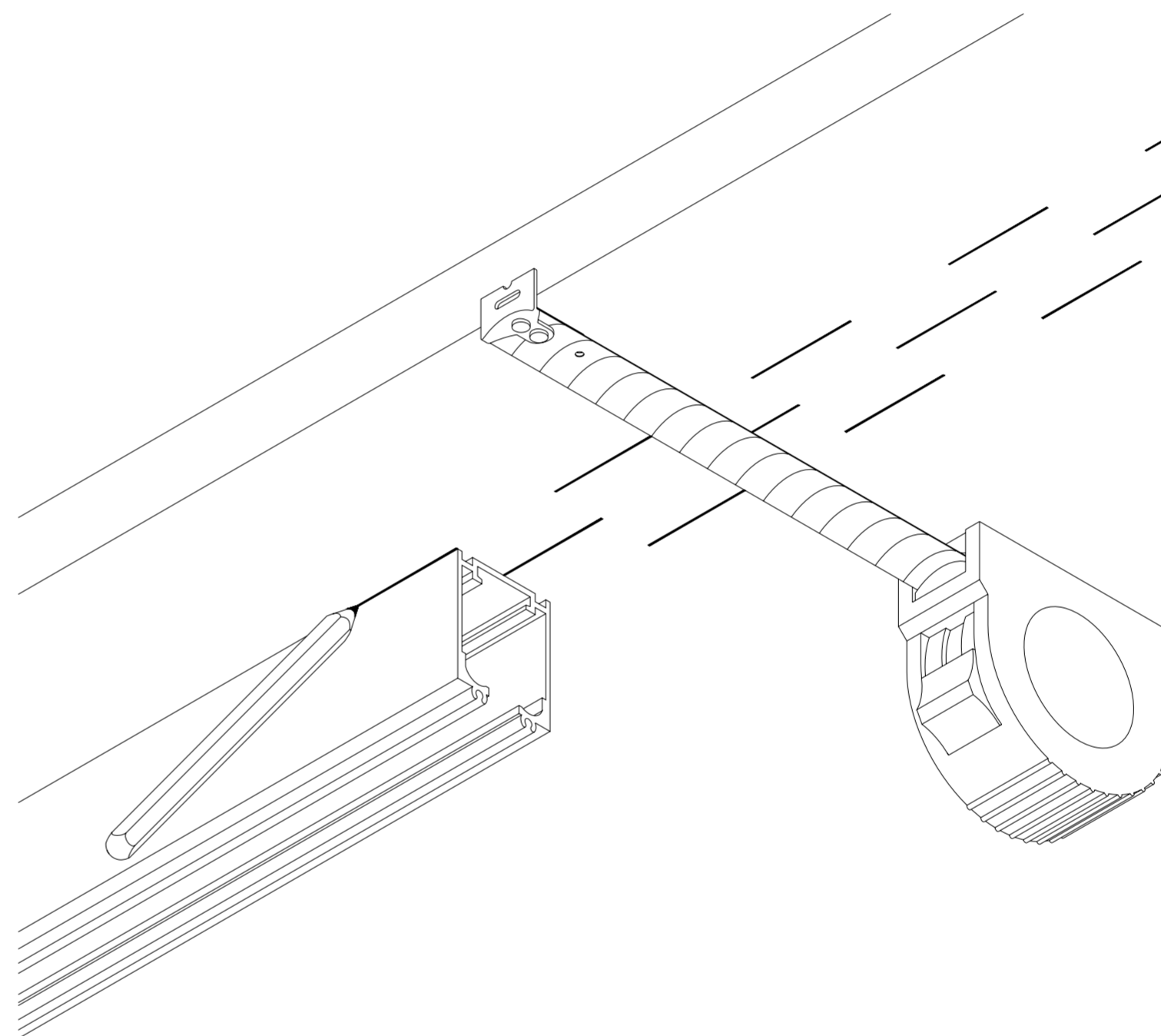
T12/T13/T14/S3

2



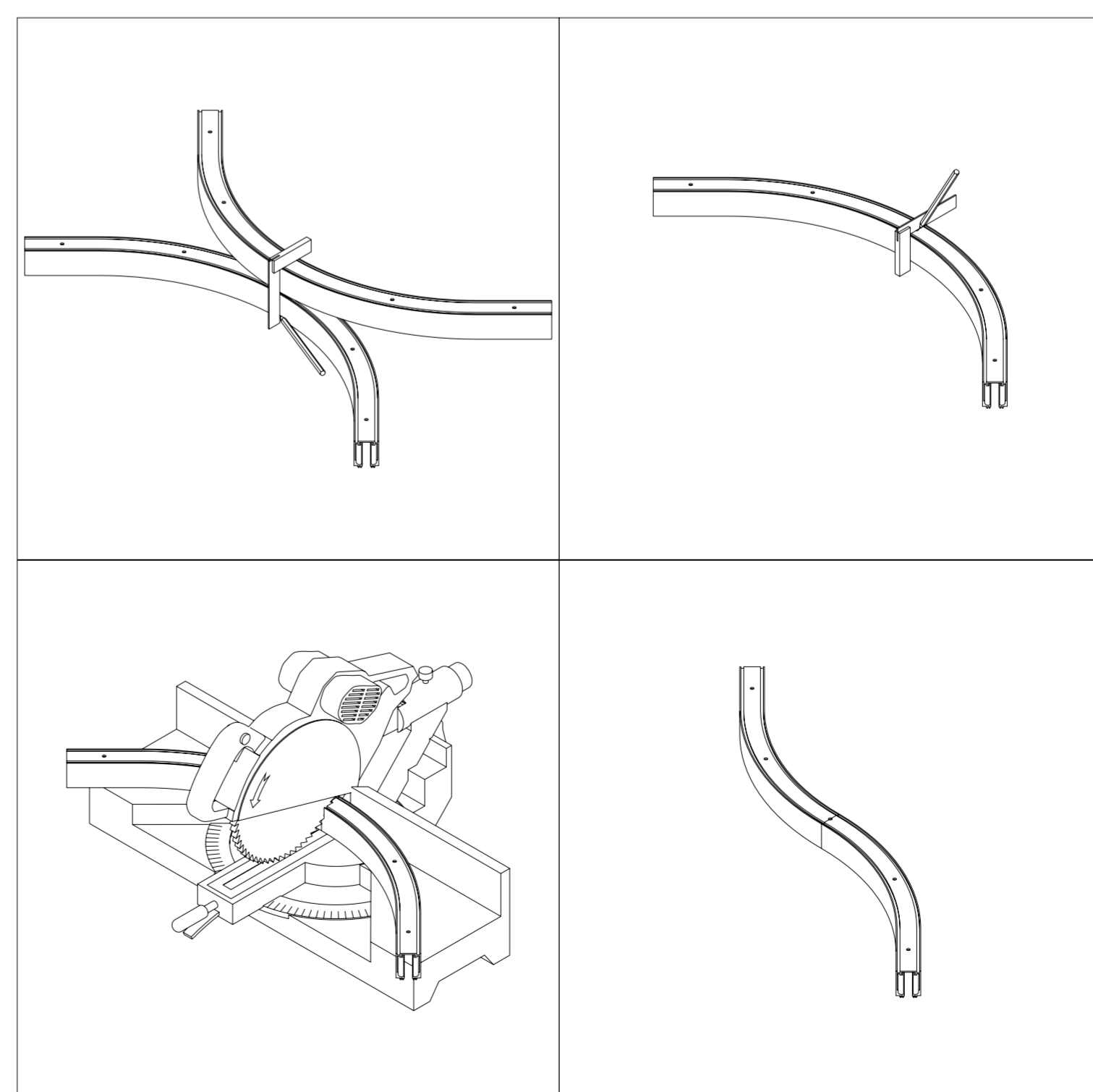
T1

4



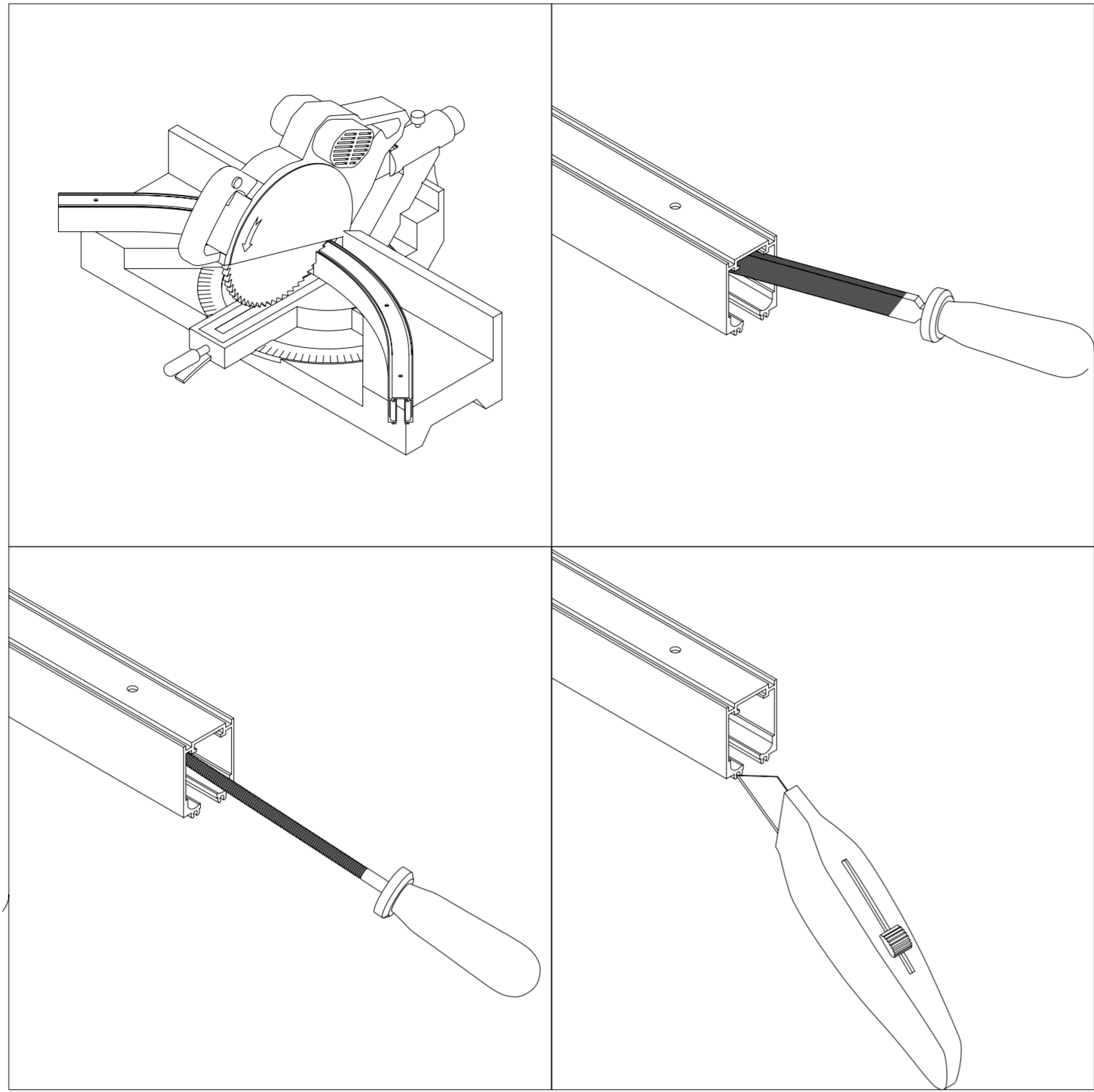
T1/T2

6



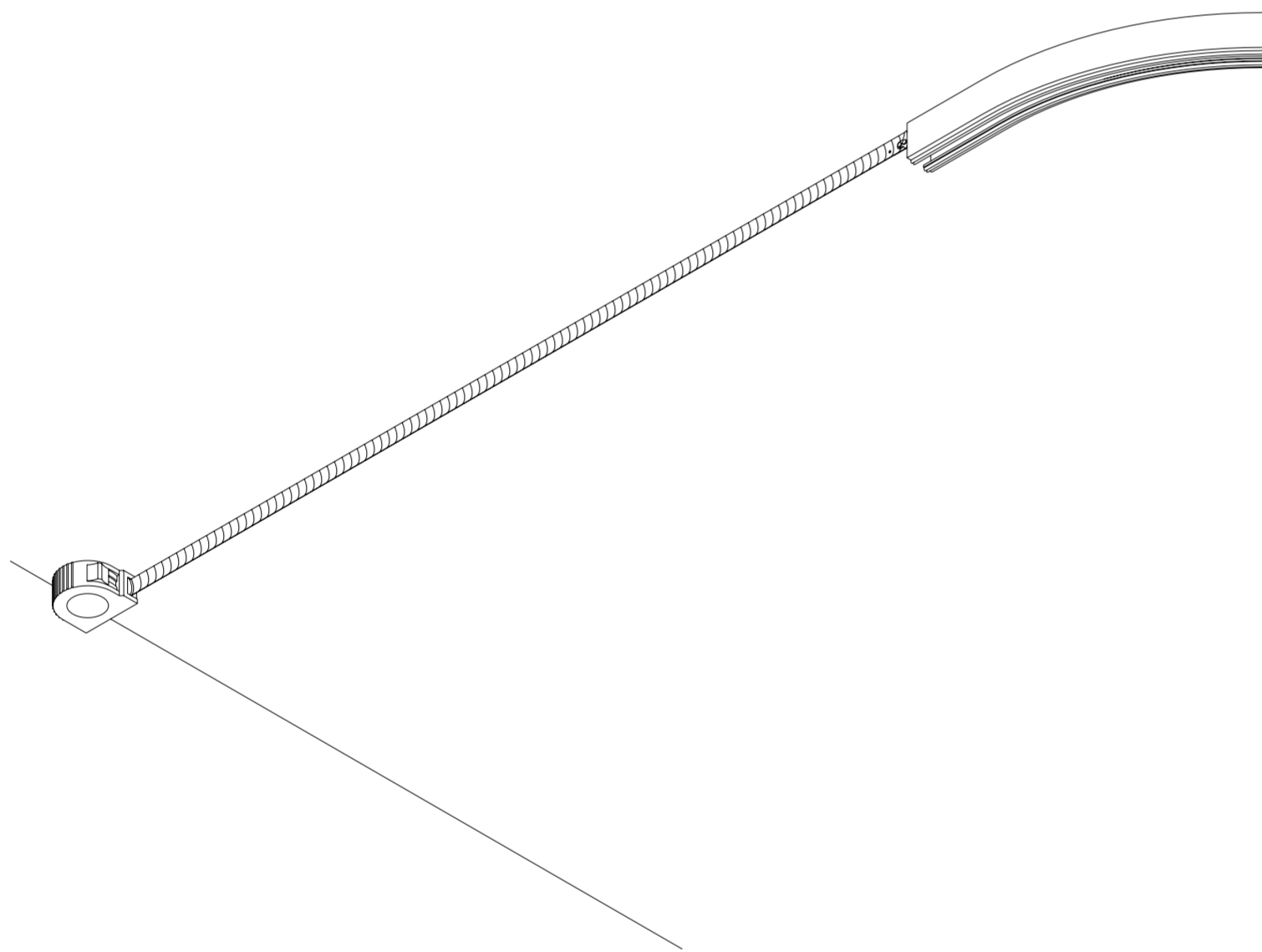
T2/T3/T23

7

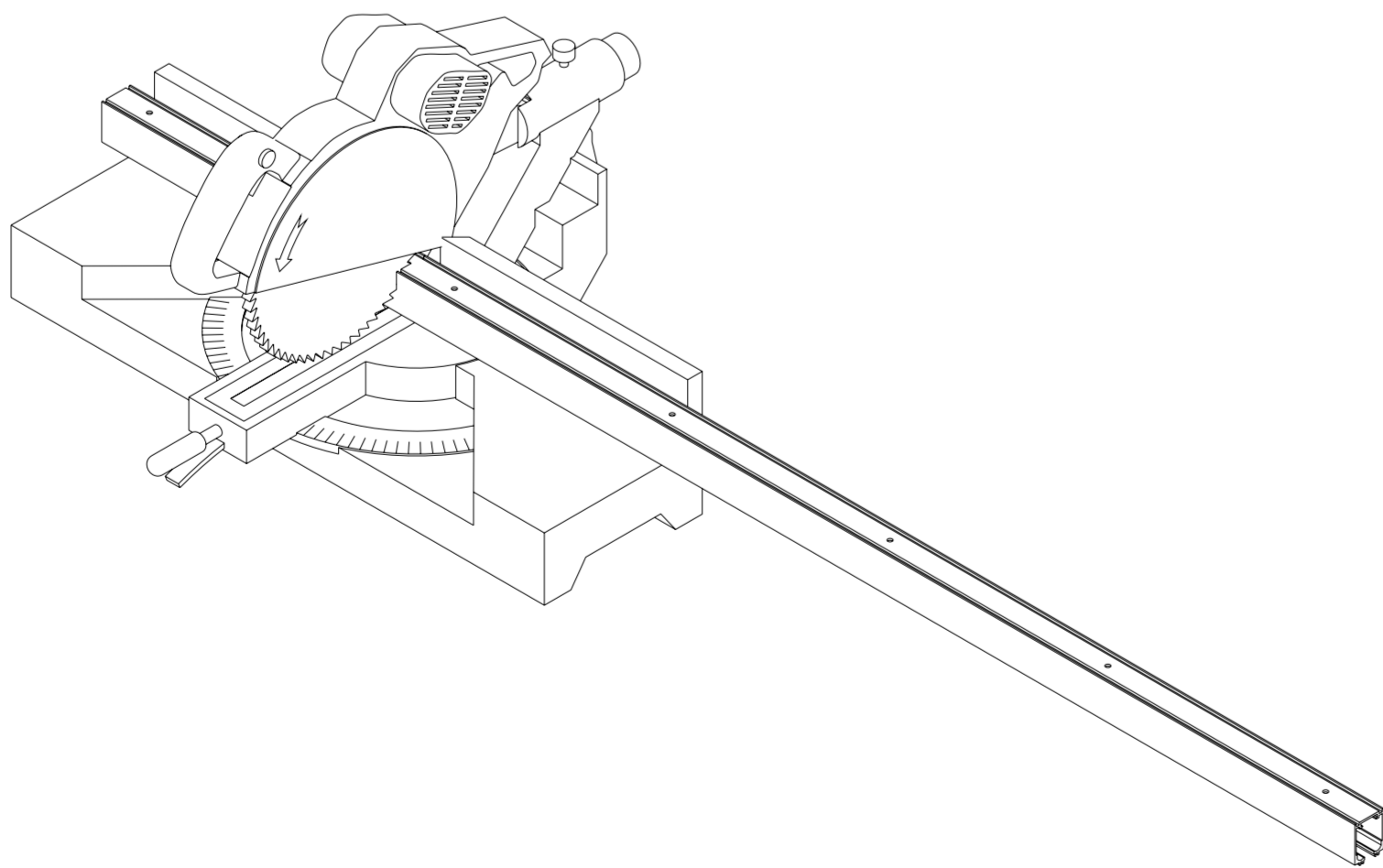


T5/T8/T9/T23

9

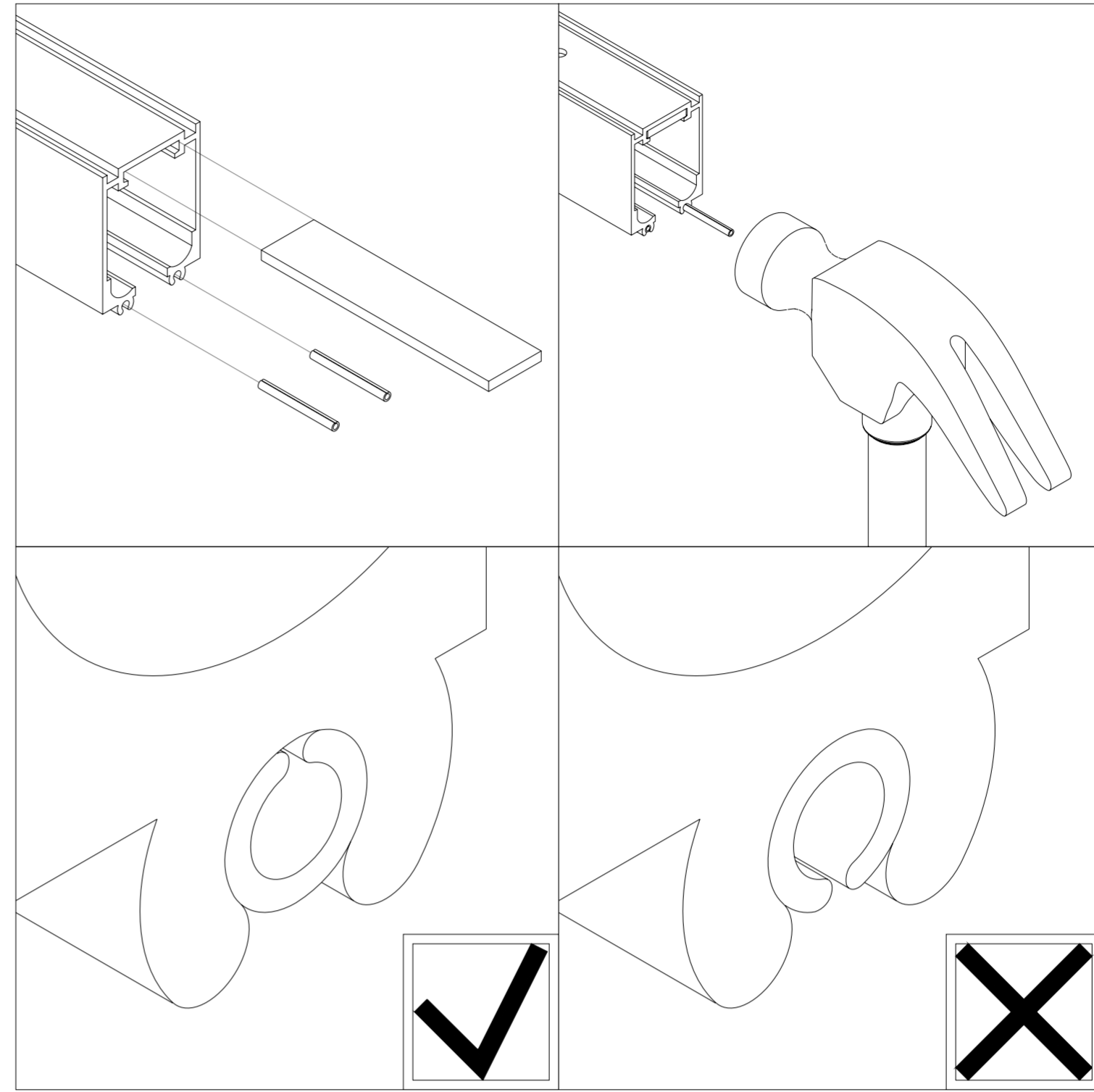


T1  
11



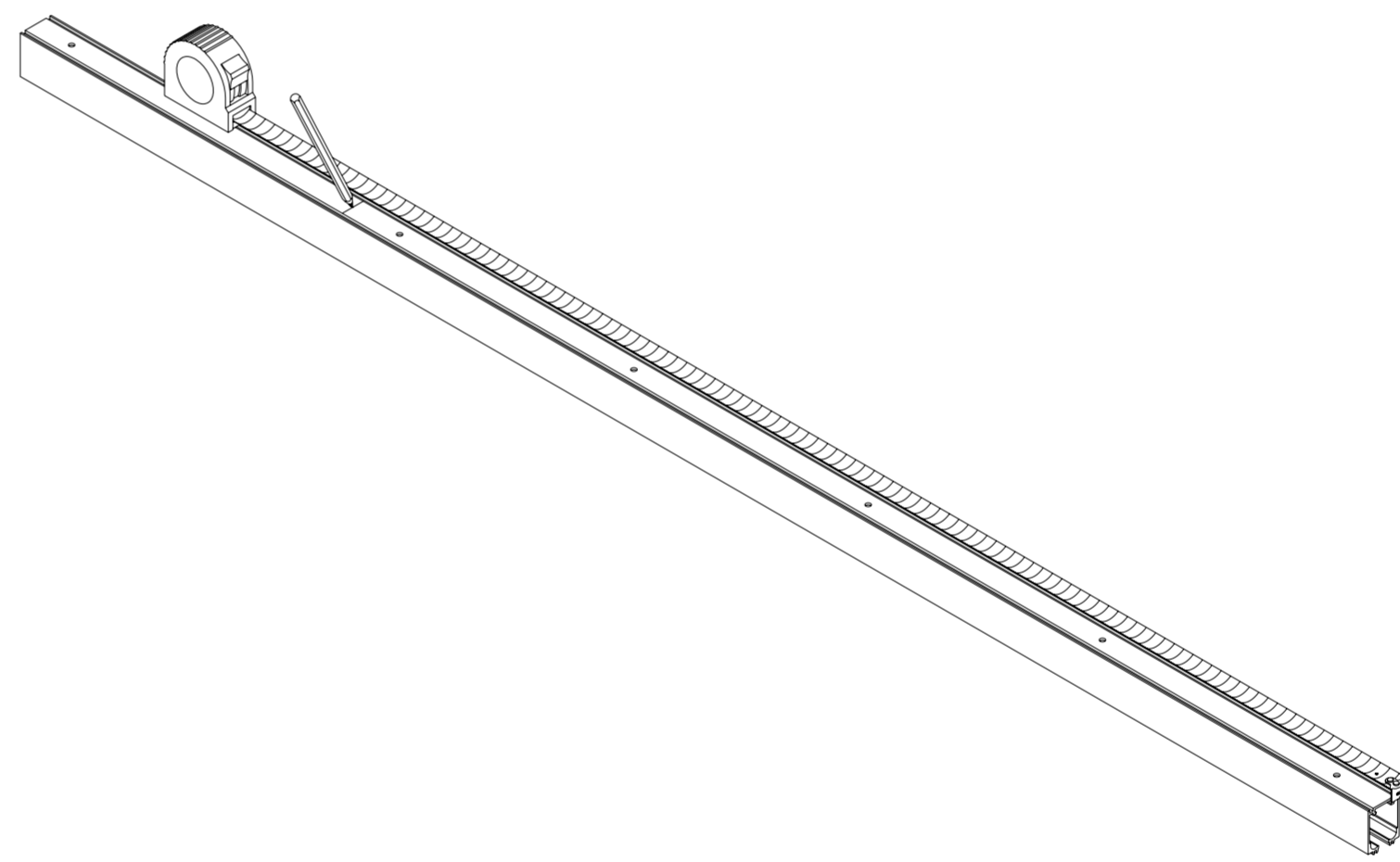
T23

8

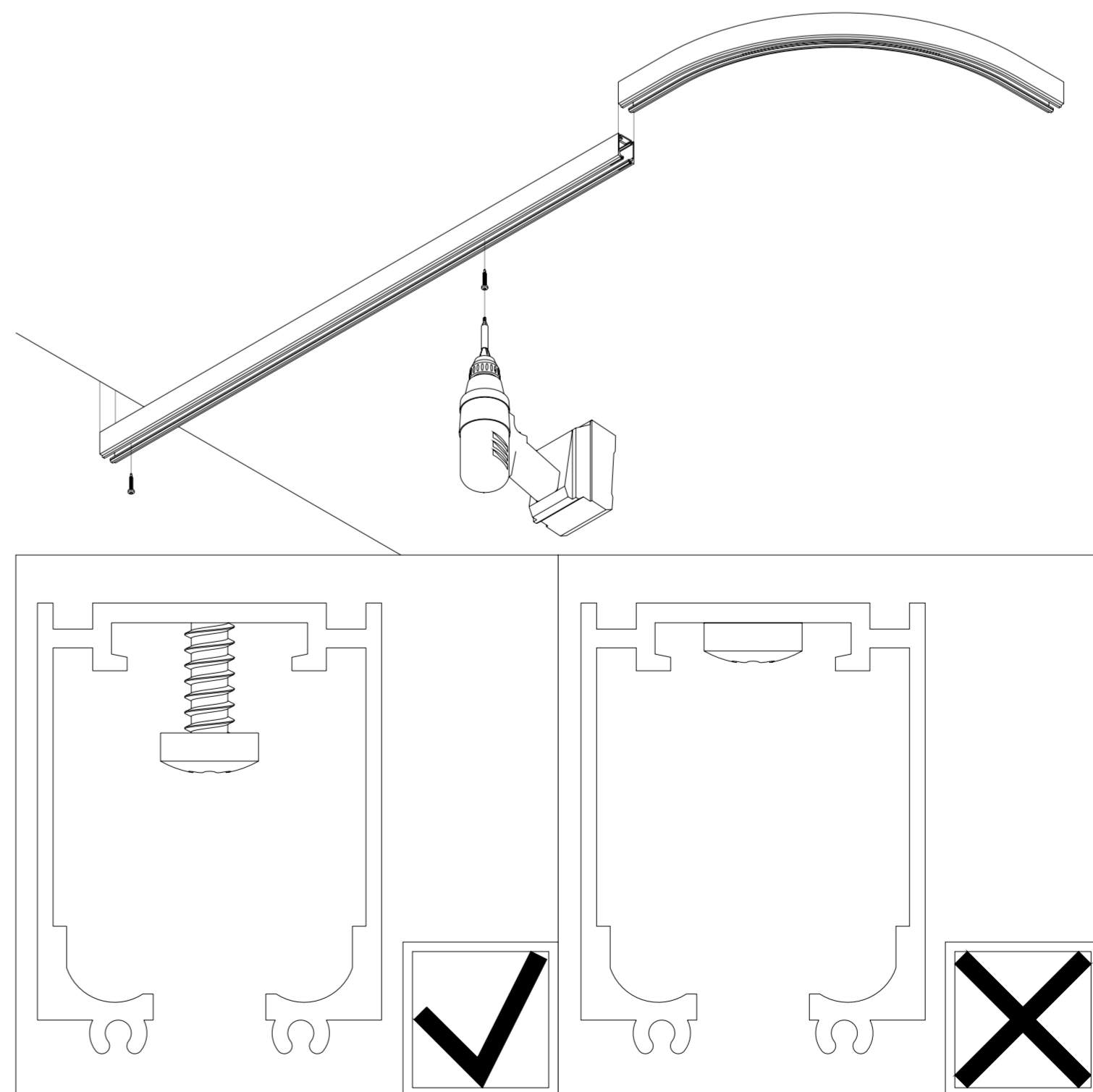


T6/S7/S9

10

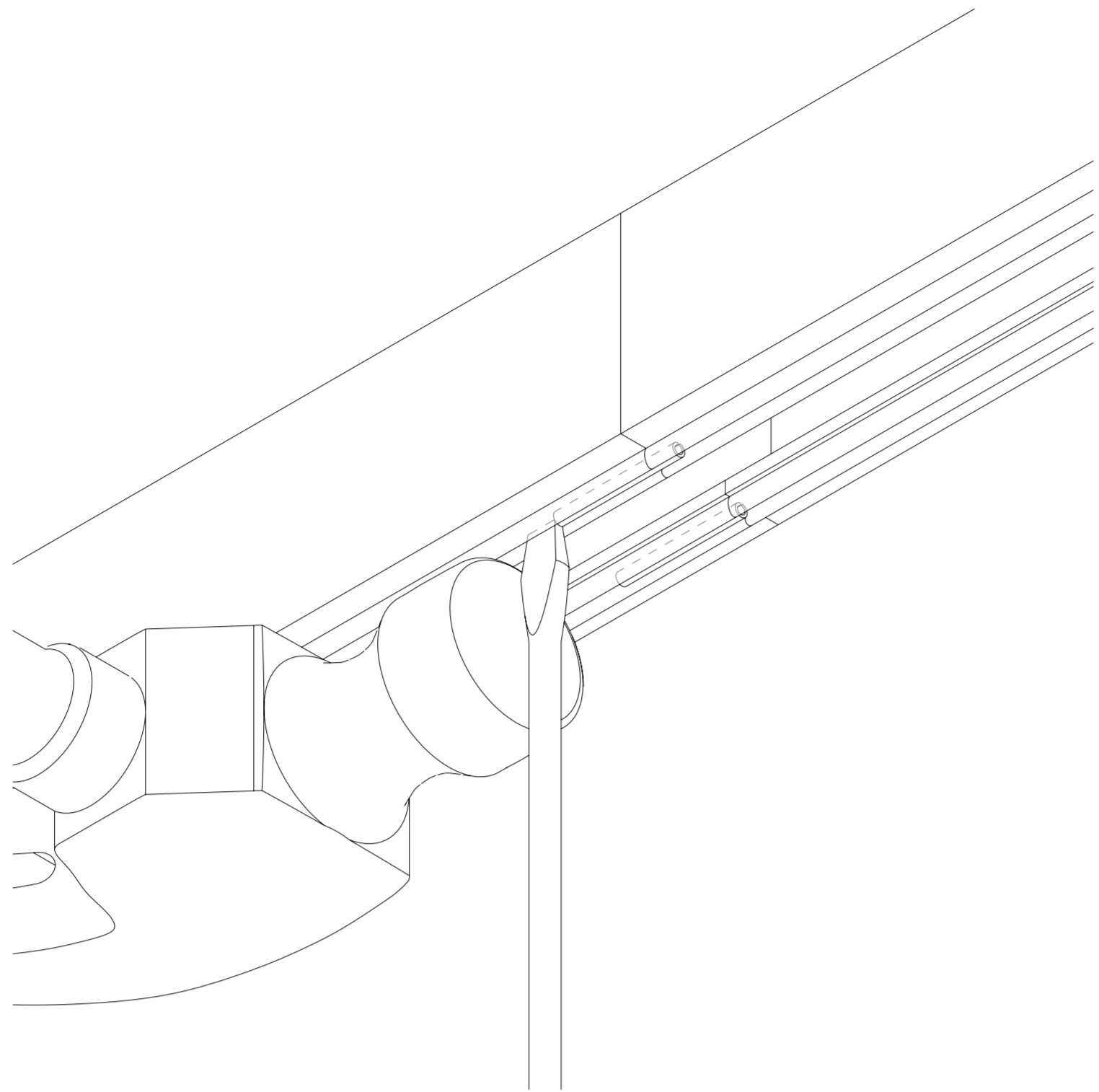


T1/T2  
12

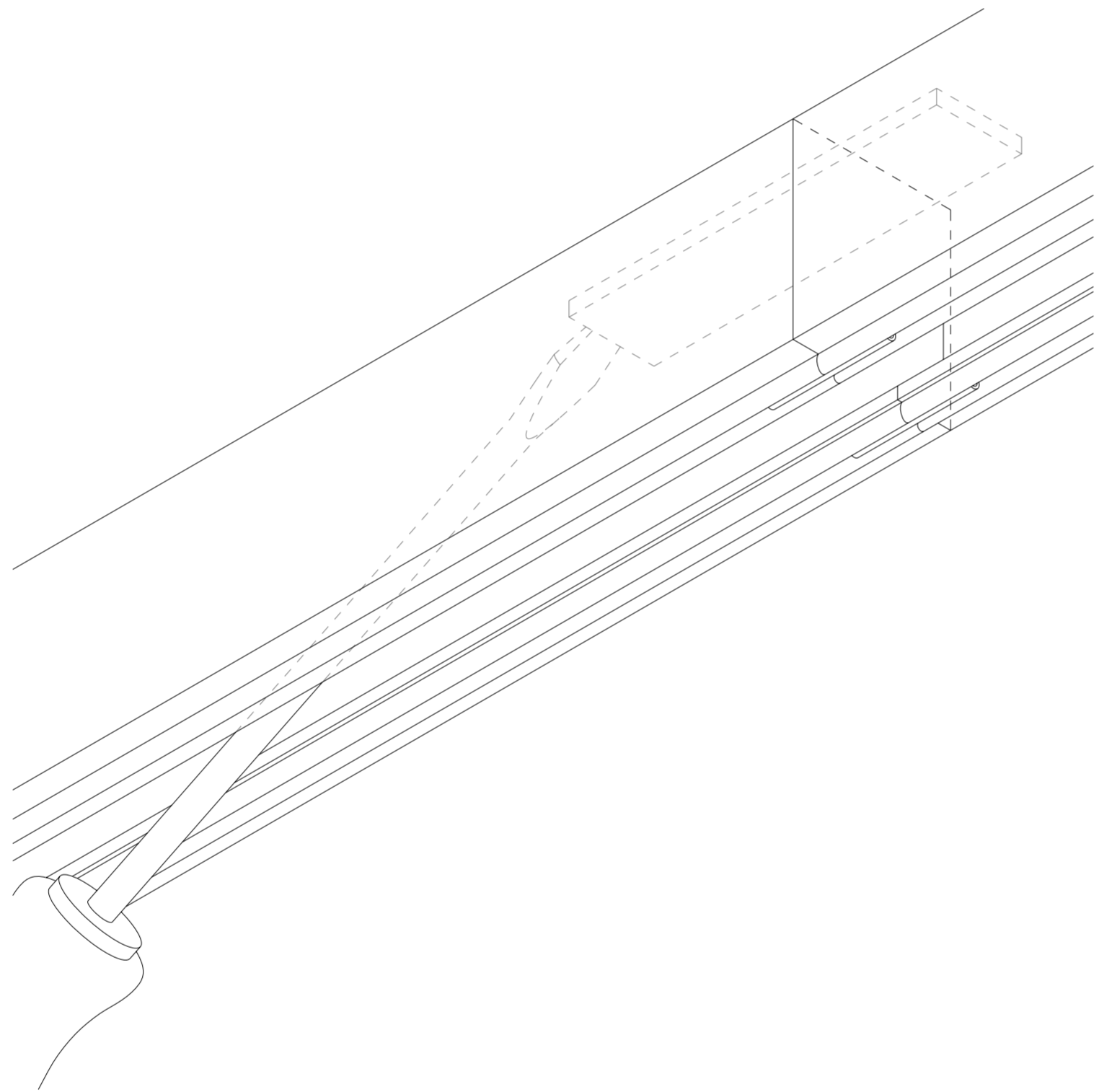


T12/T13/T14/S3

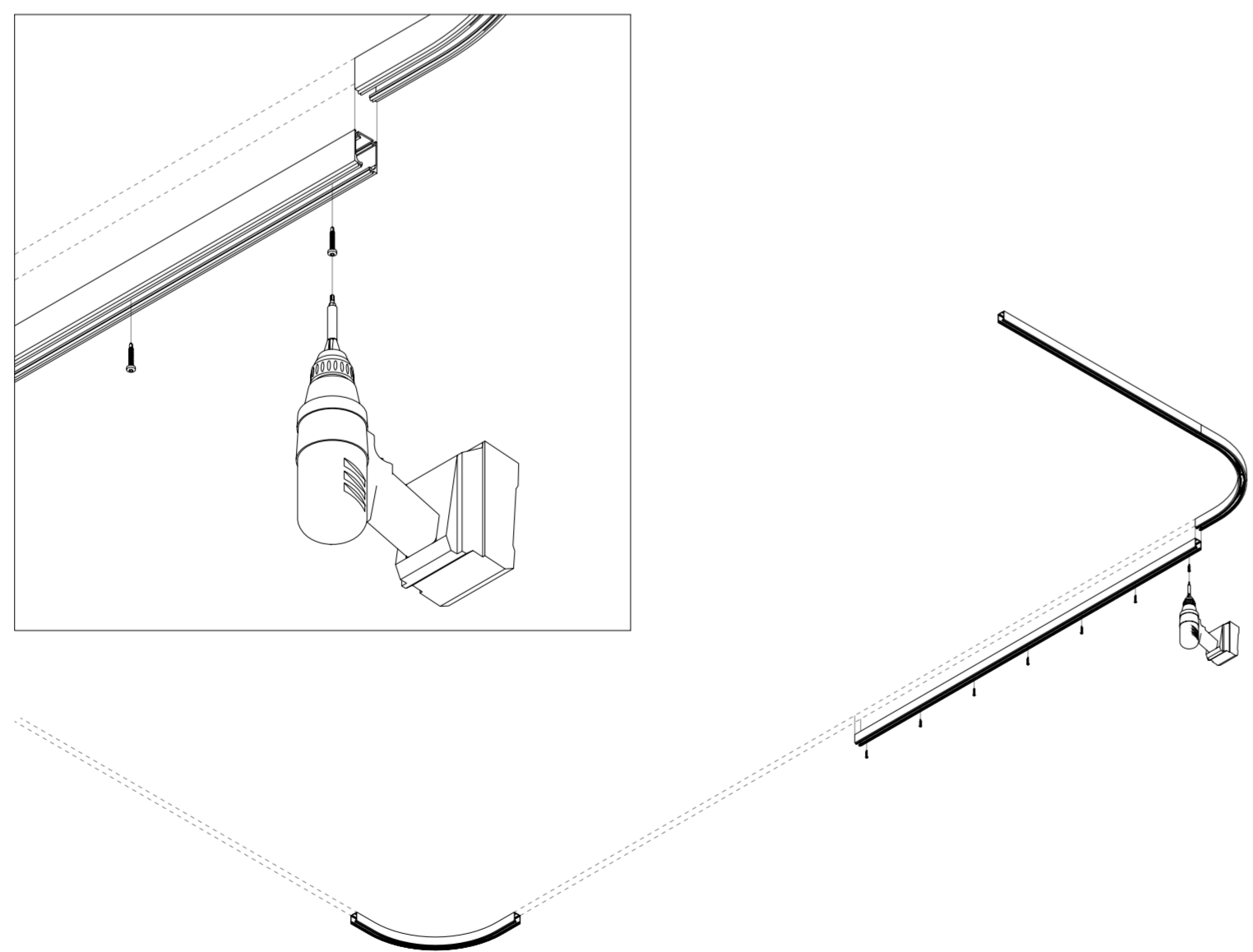
13



T6/T7/S7  
15

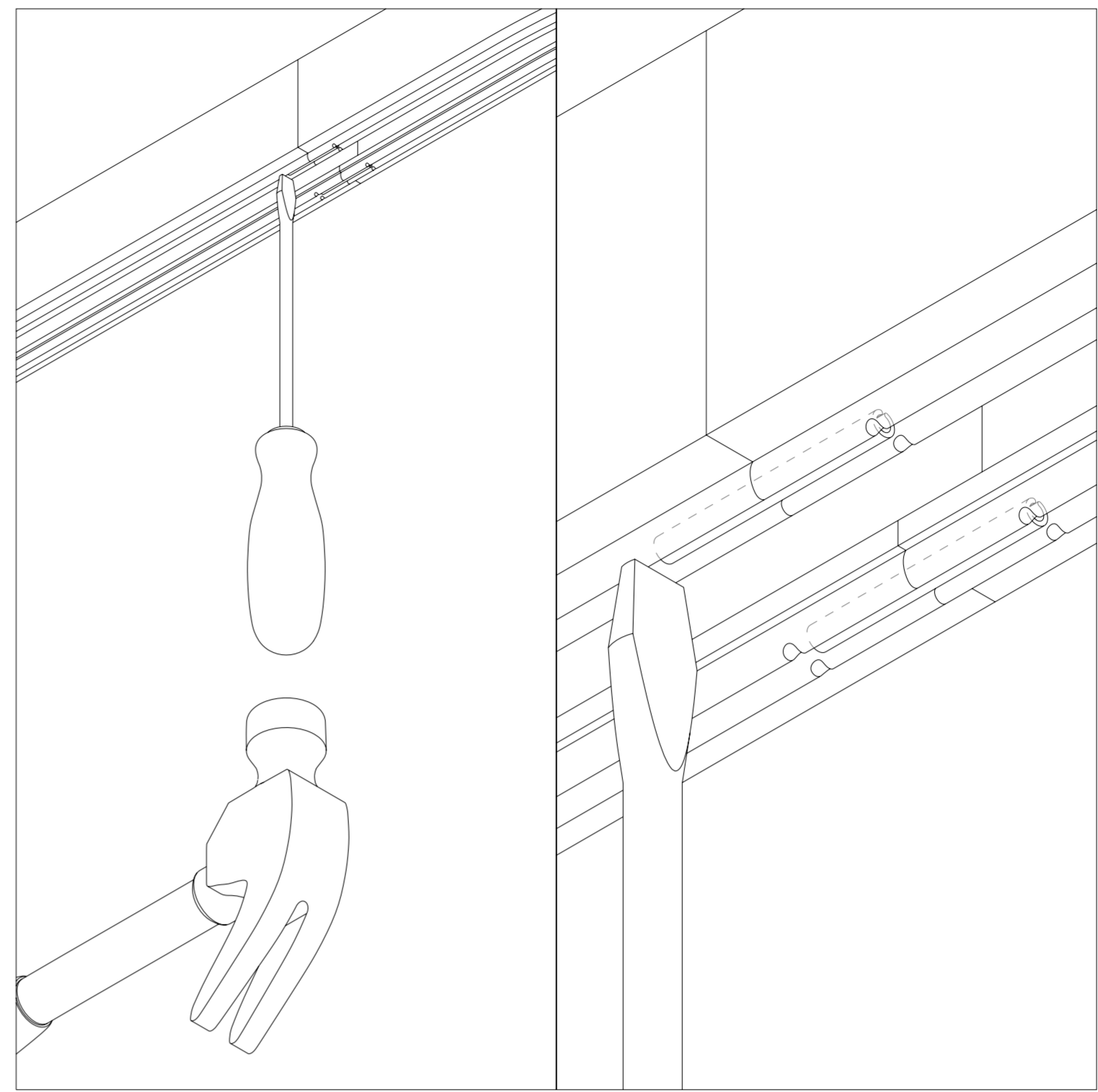


T7/S9  
17

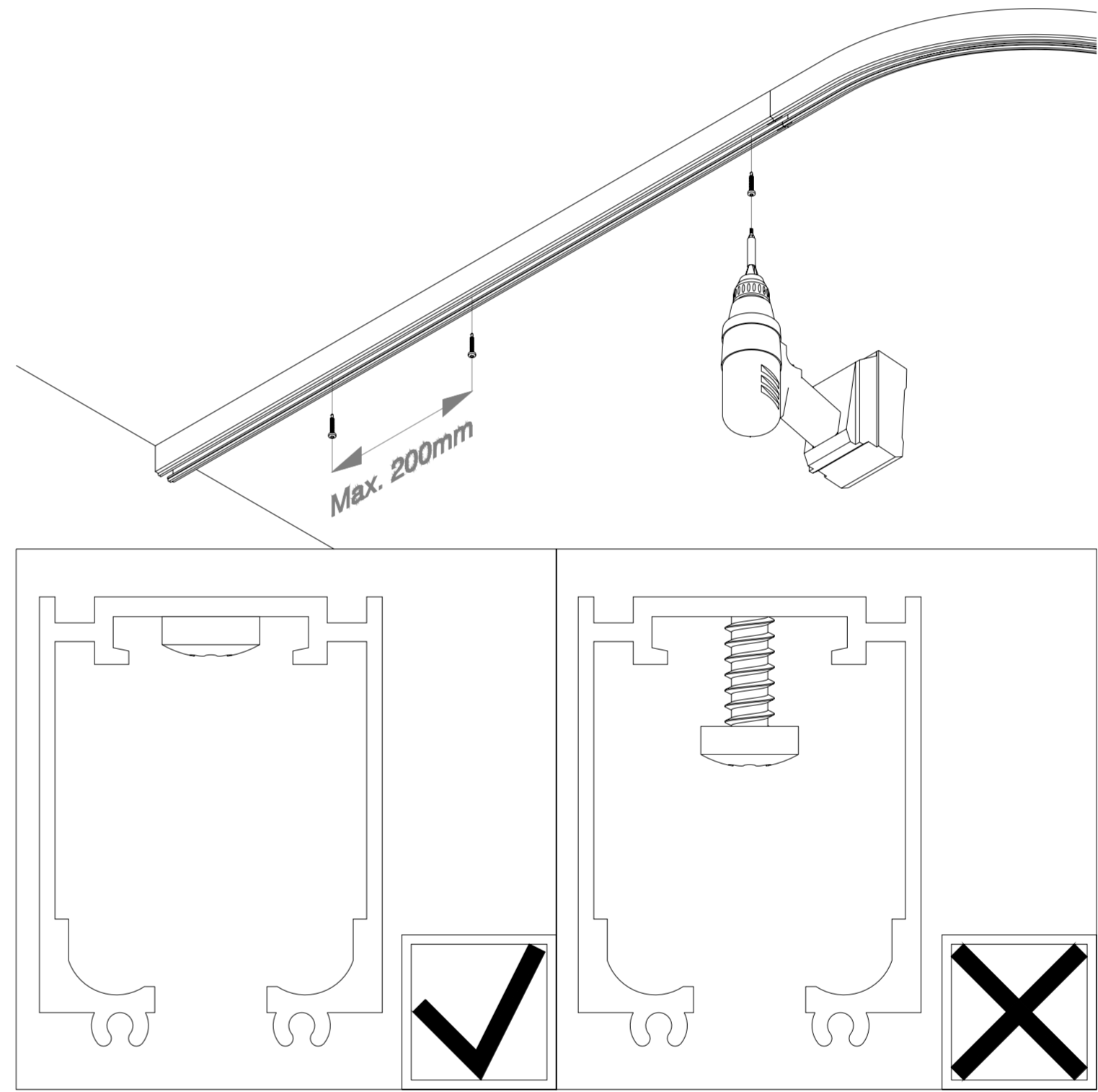


T12/T13/T14/S3

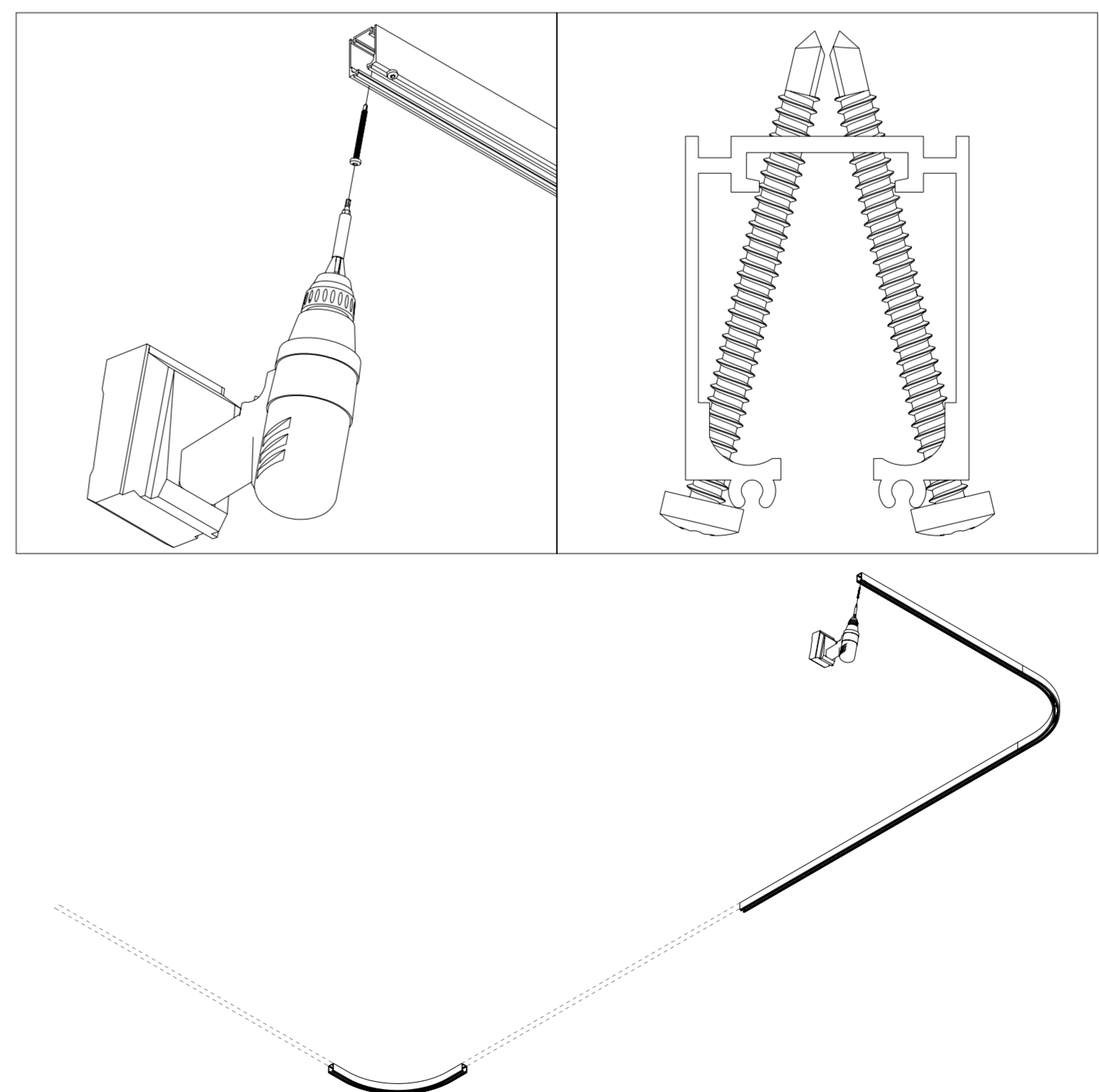
14



T6/T7  
16

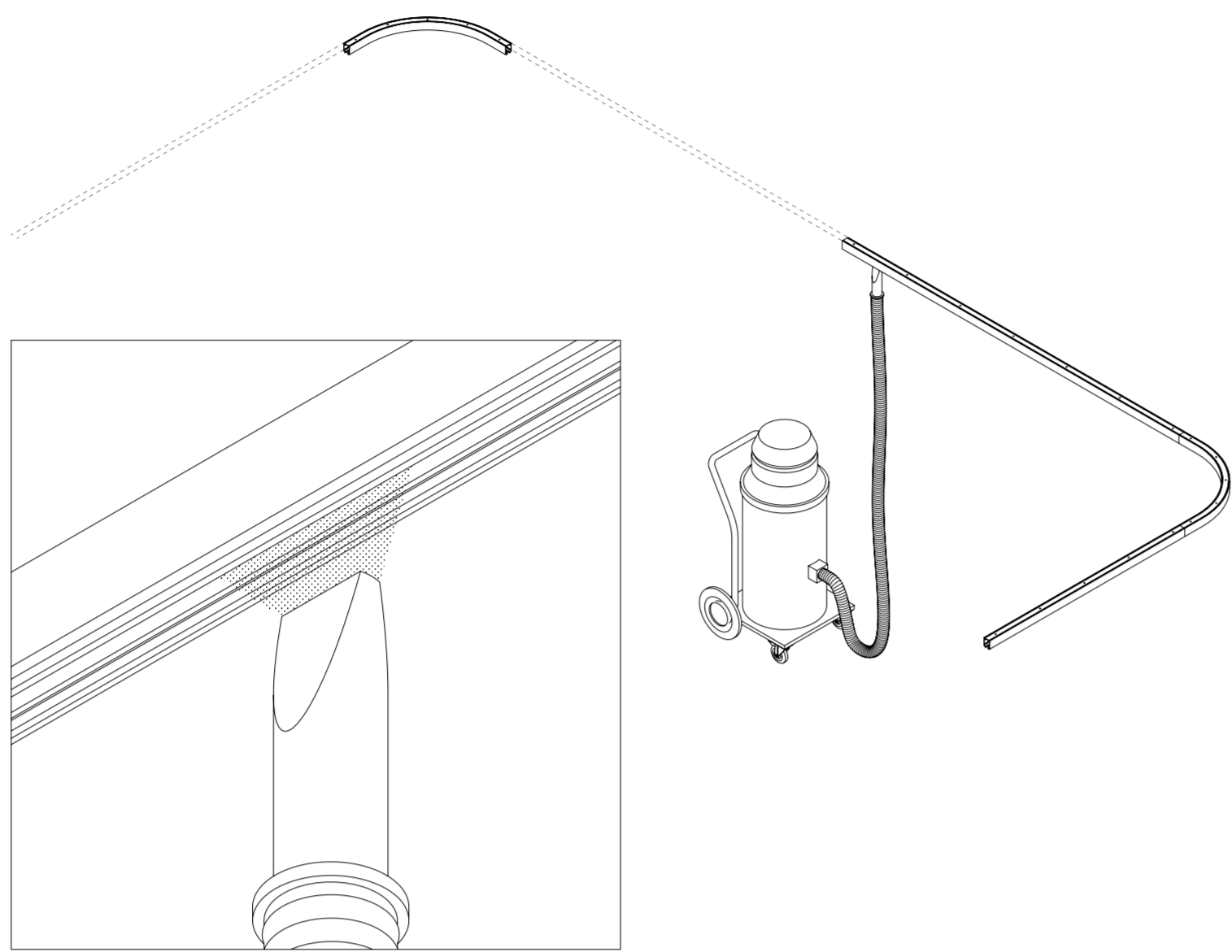


T12/T13/T14/S3  
18

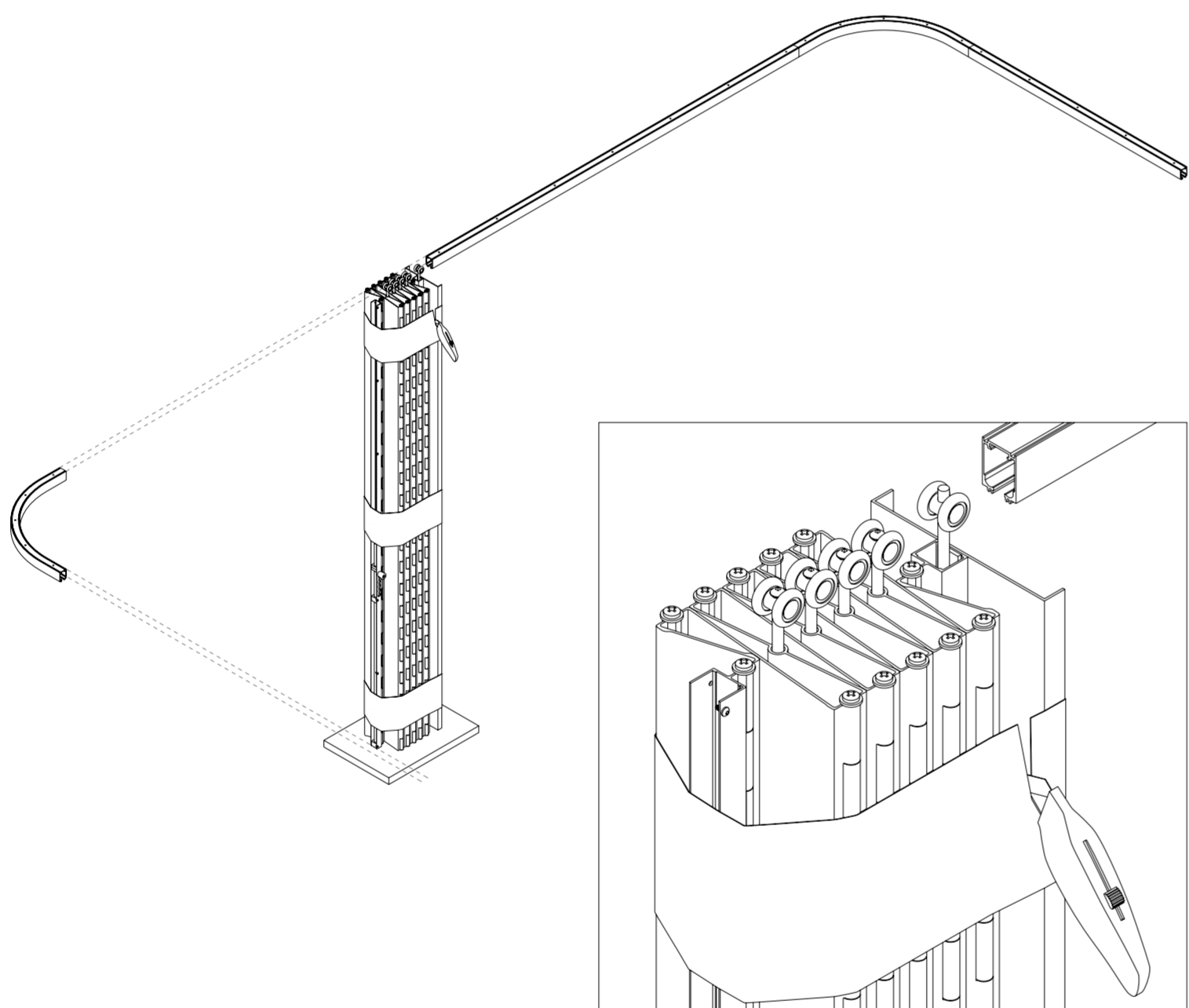


T12/T13/T14/S1

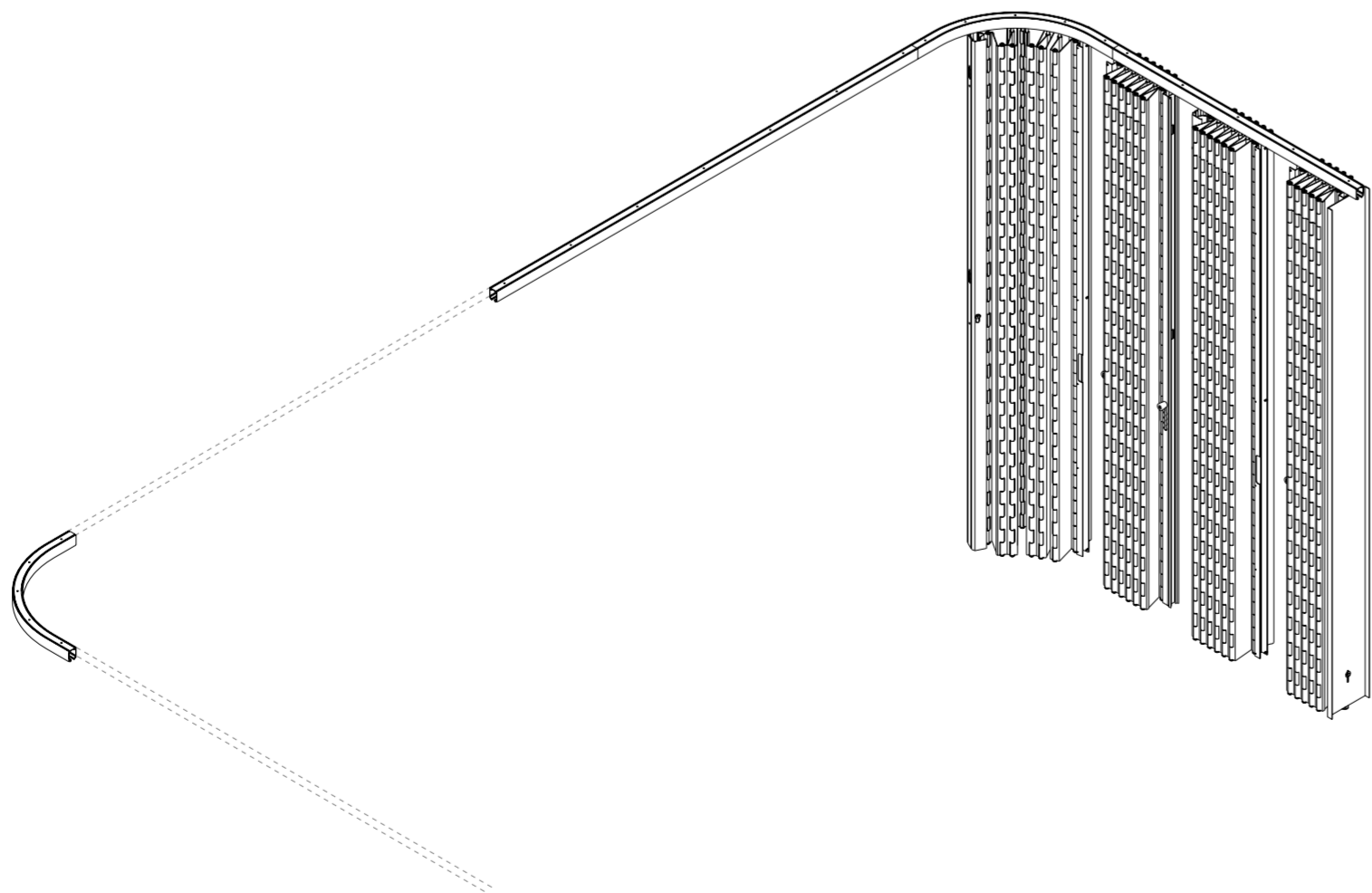
19



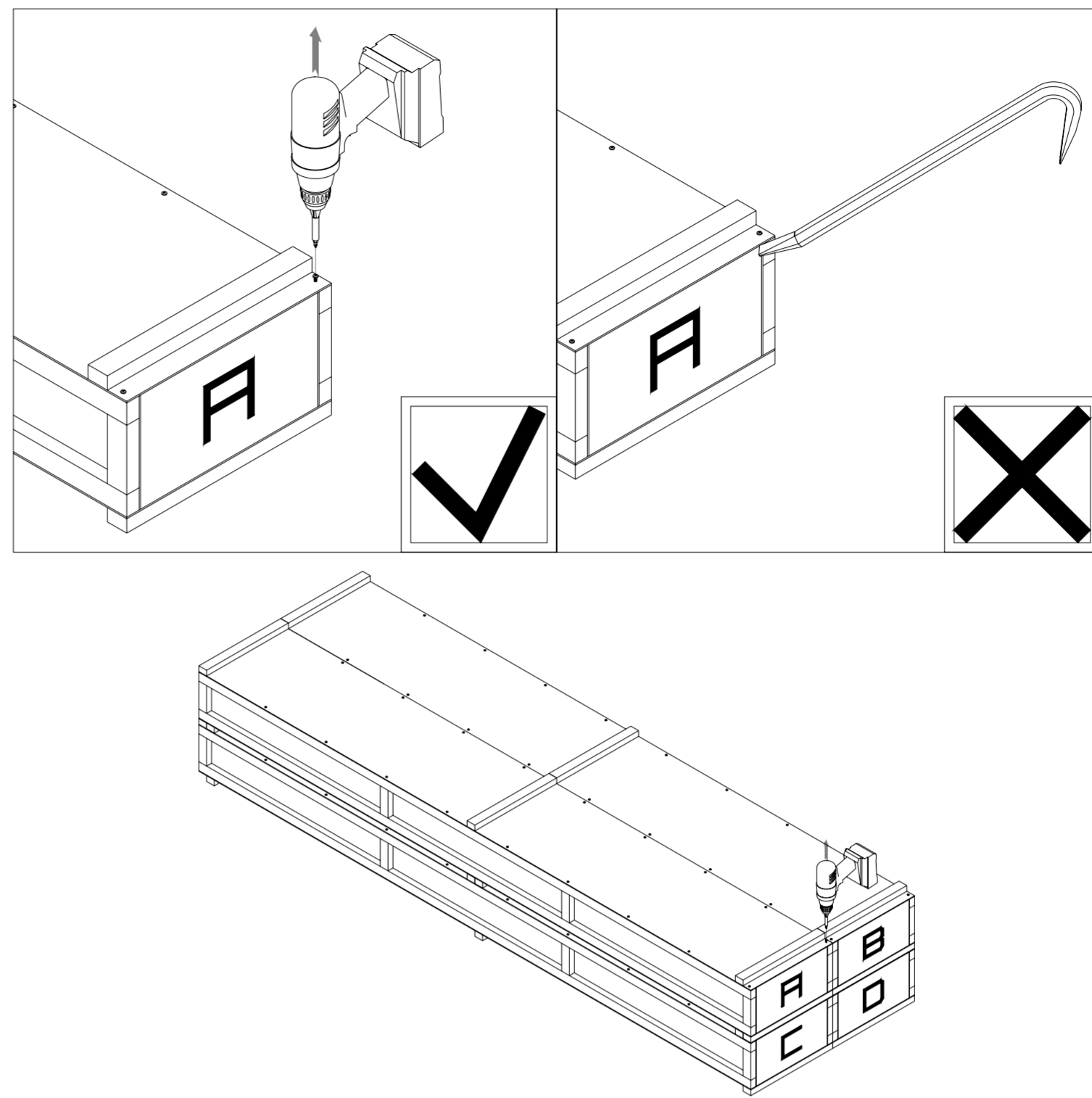
T25  
21



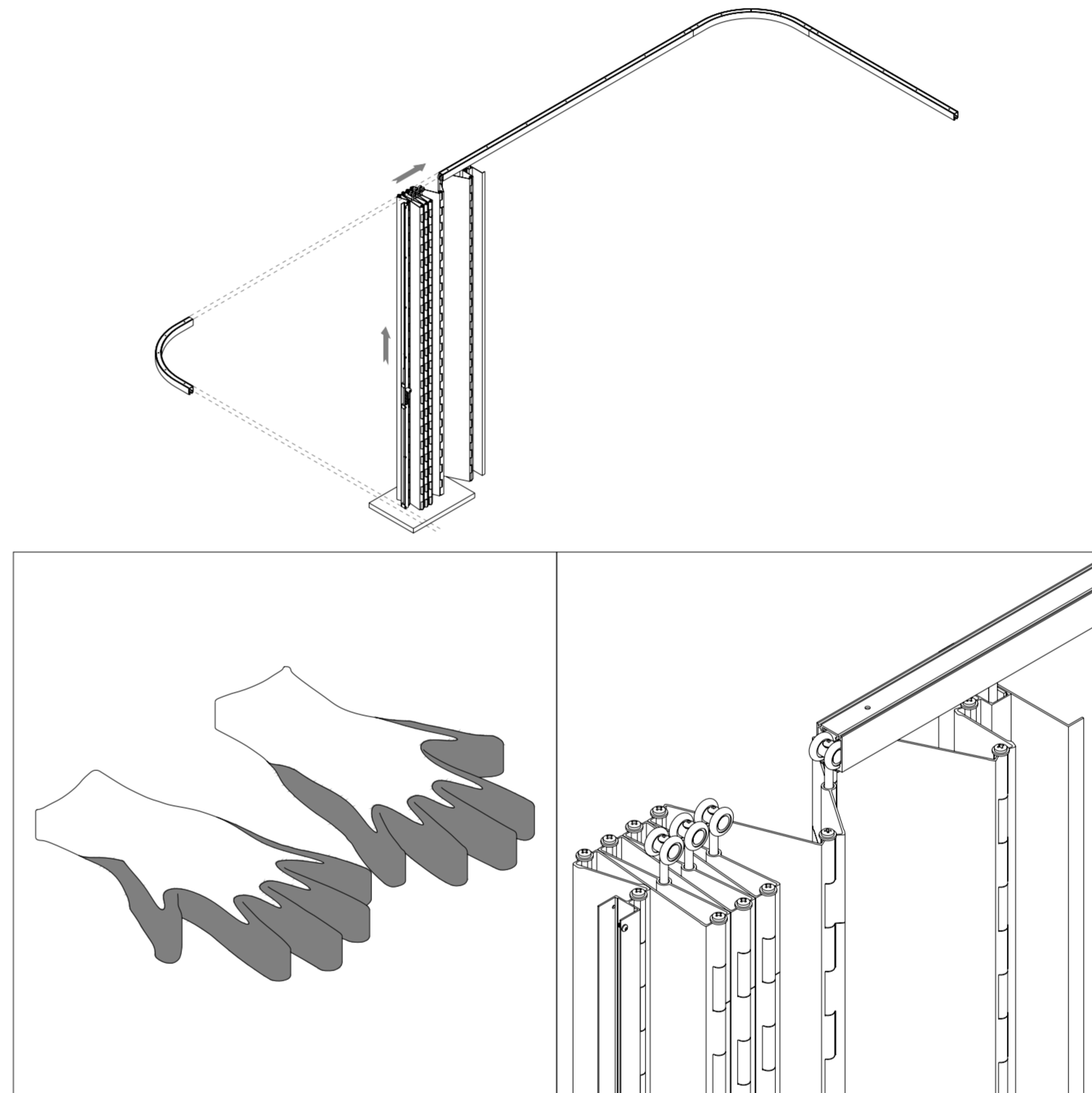
T5  
23



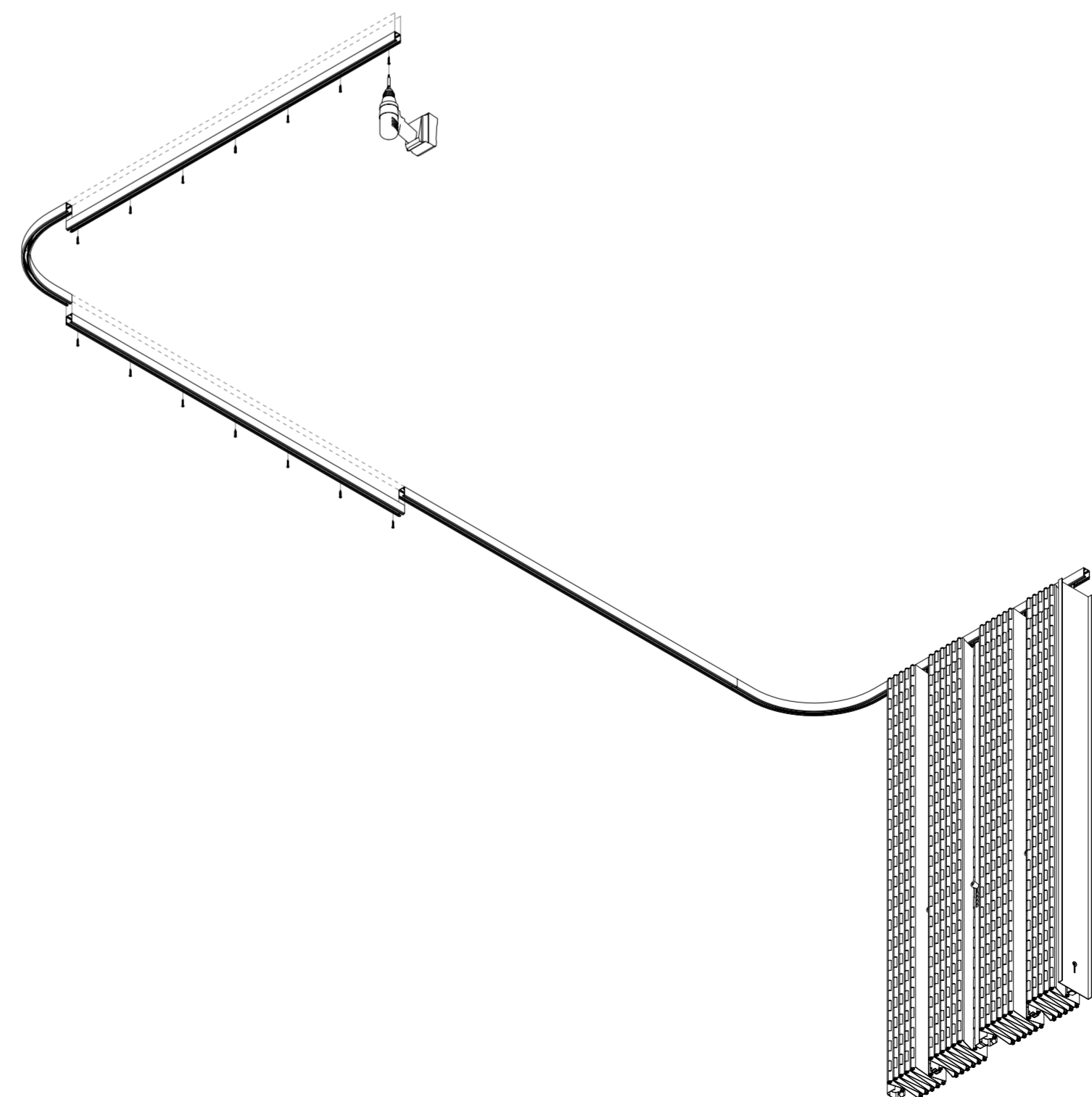
20



T12/T13/T17  
22

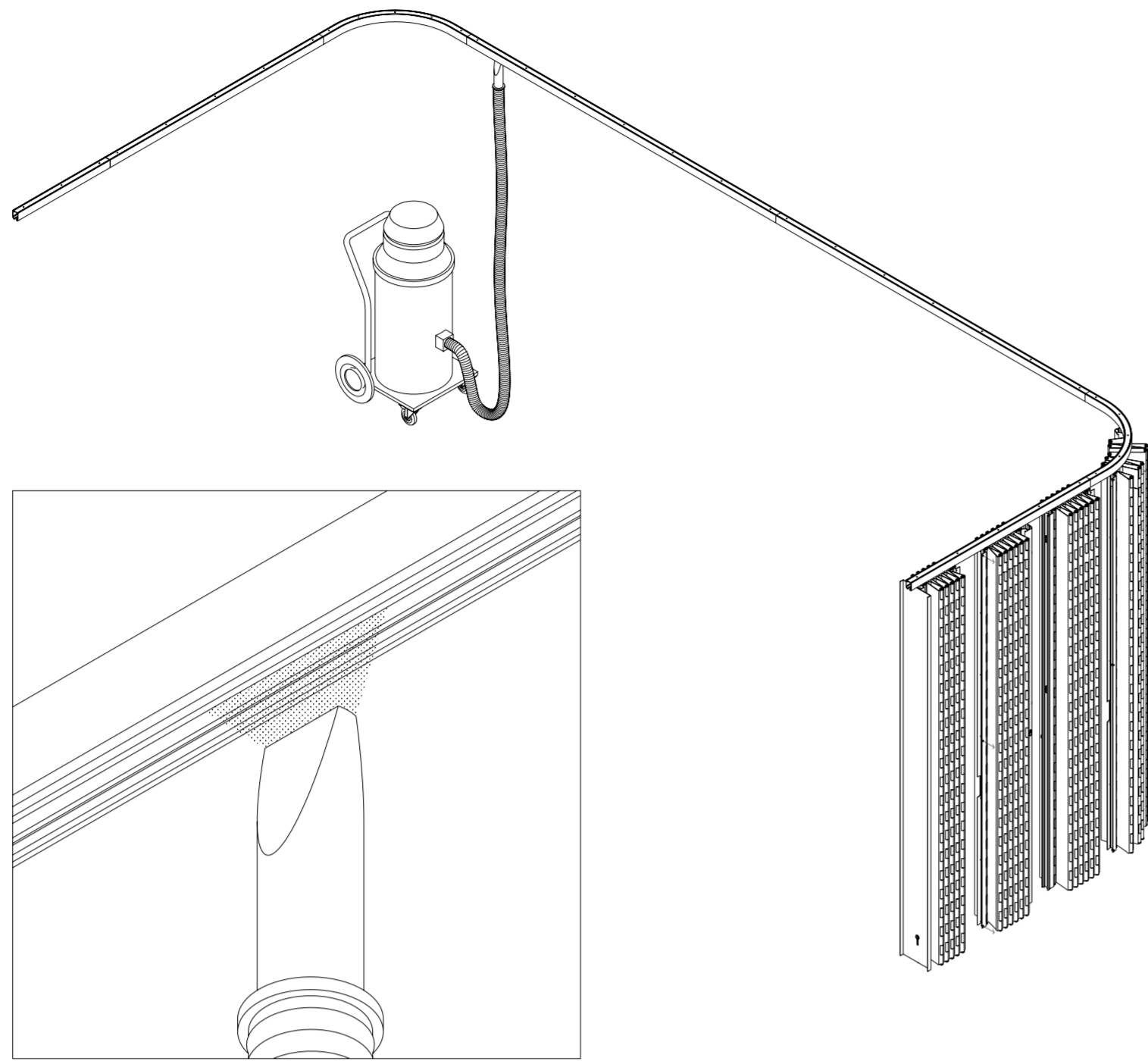


T24  
24

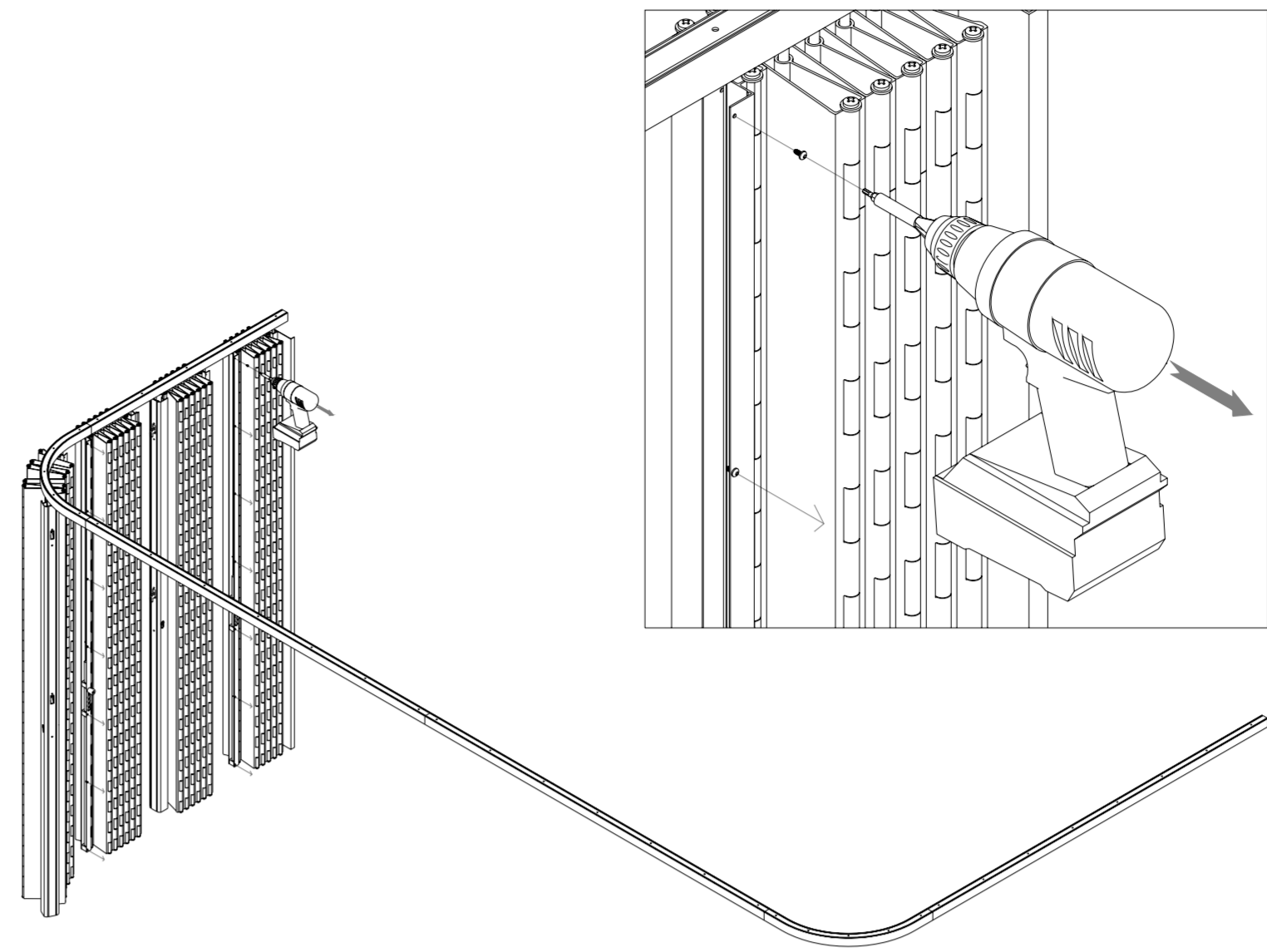


T12/T13/T14/S3

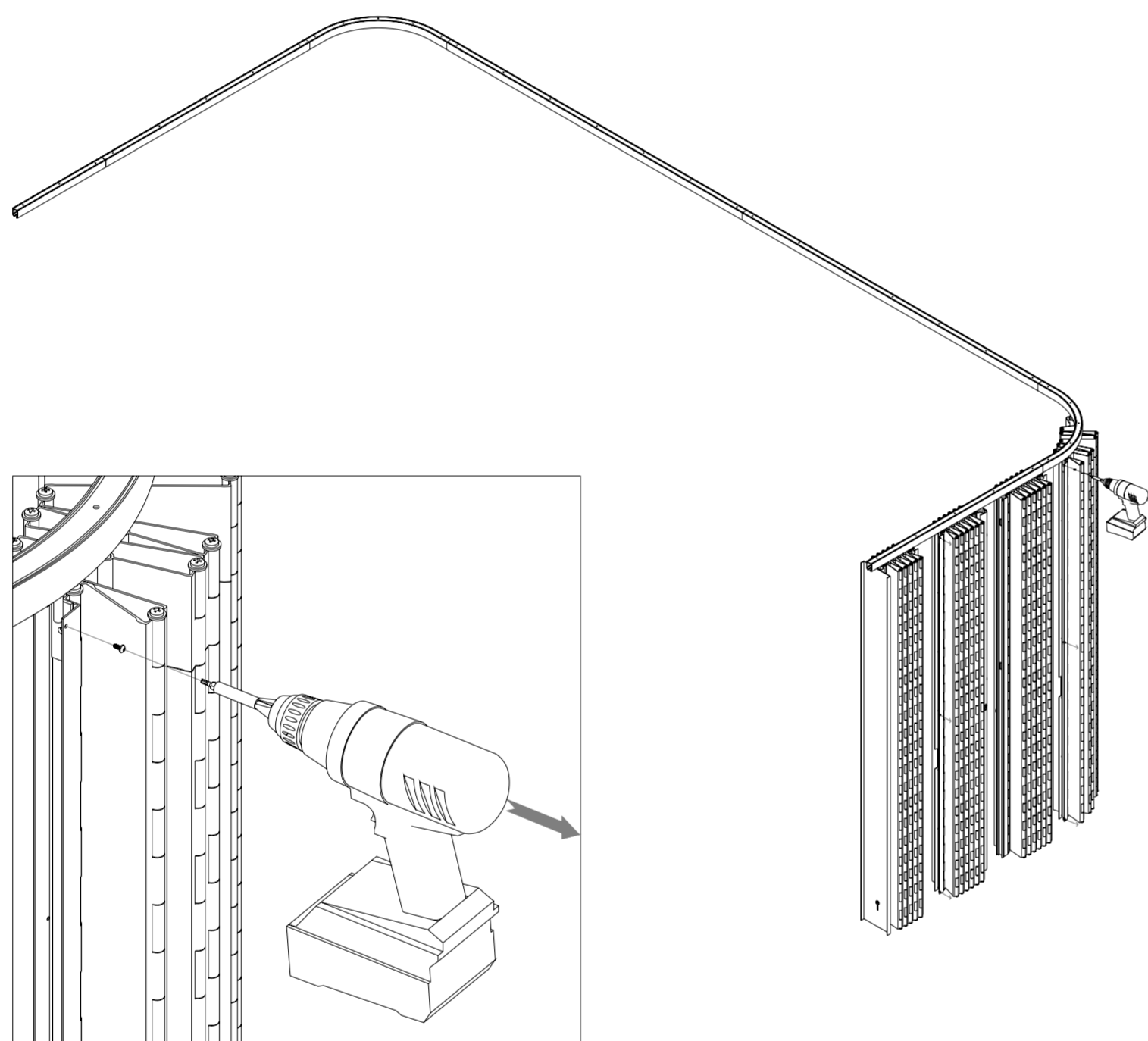
25



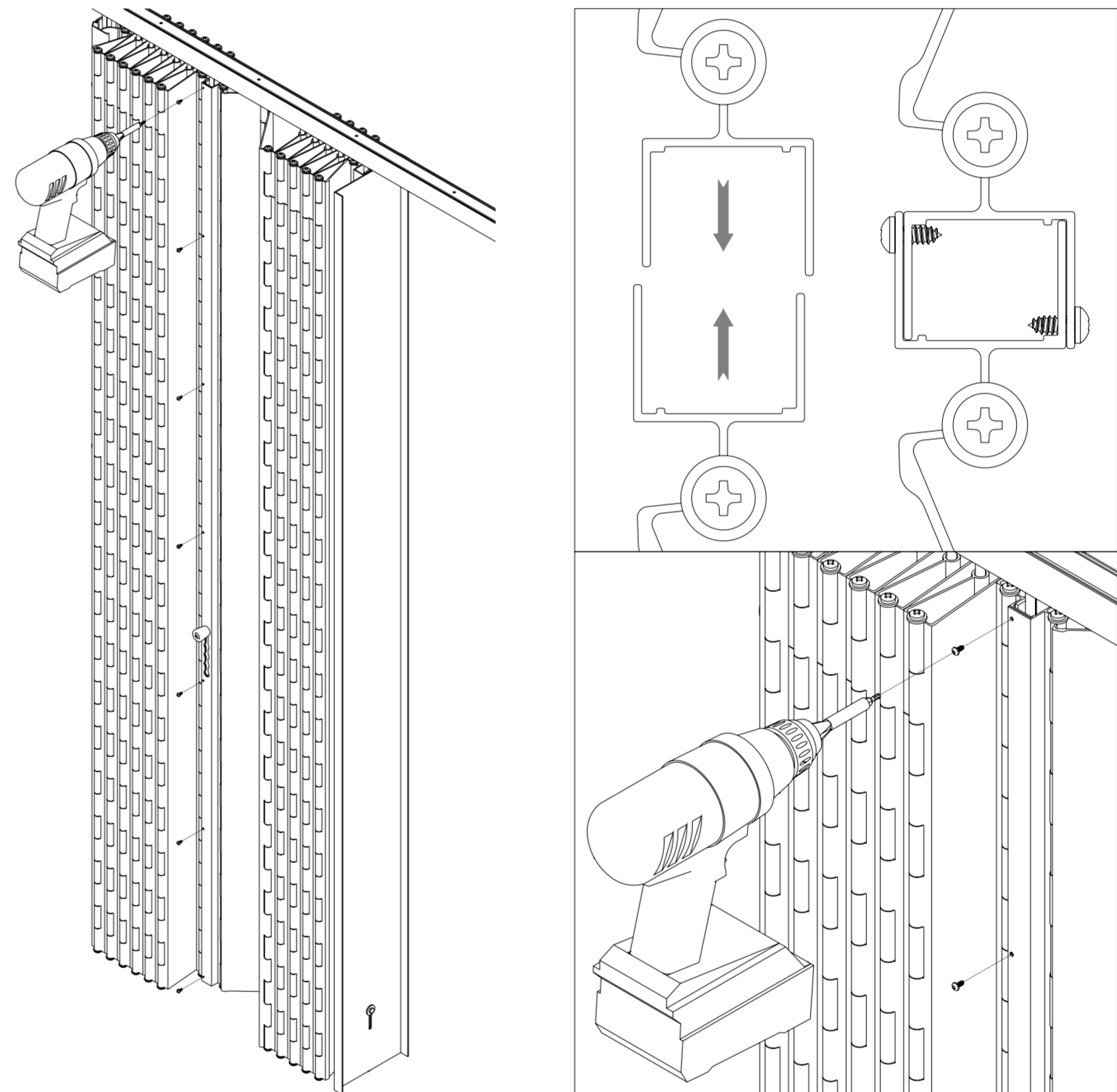
26



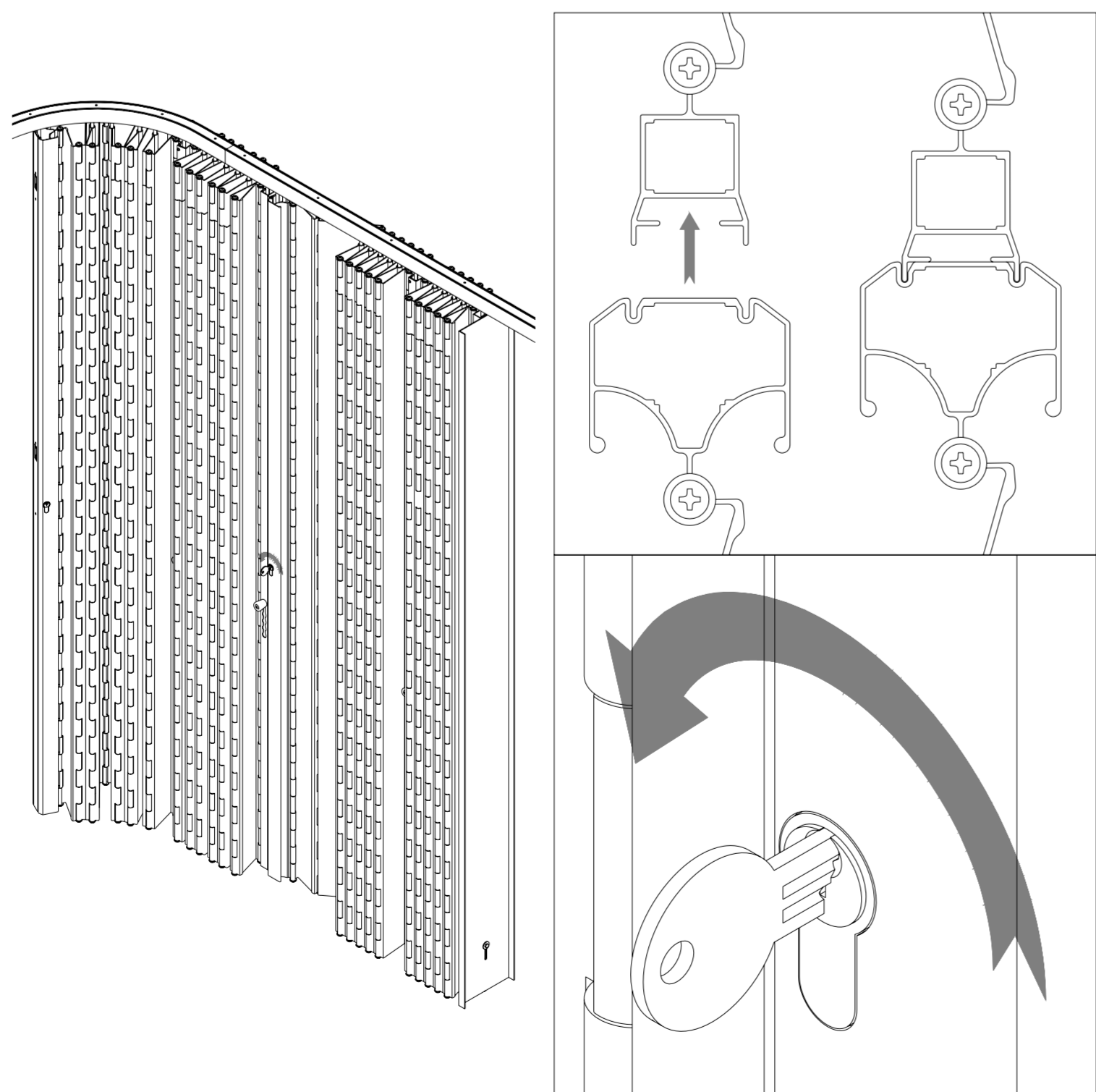
T25  
27



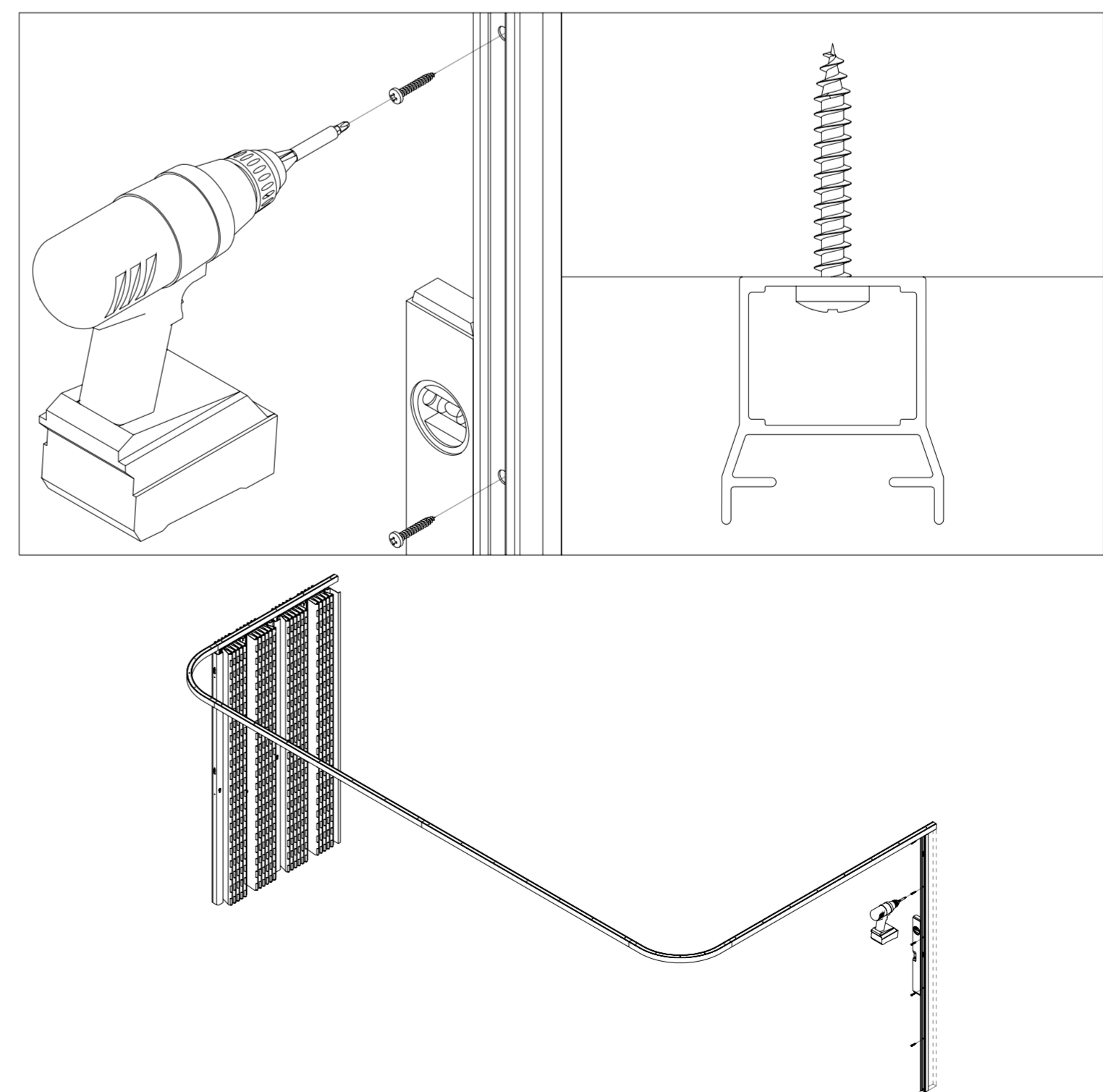
28



T12/T13/T15/S4  
29



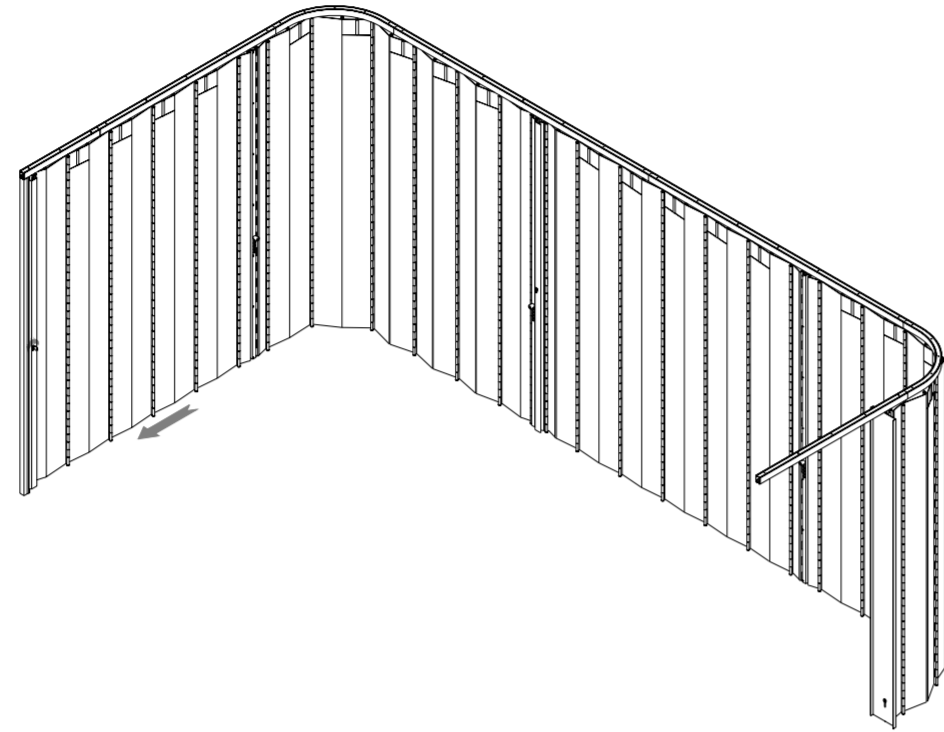
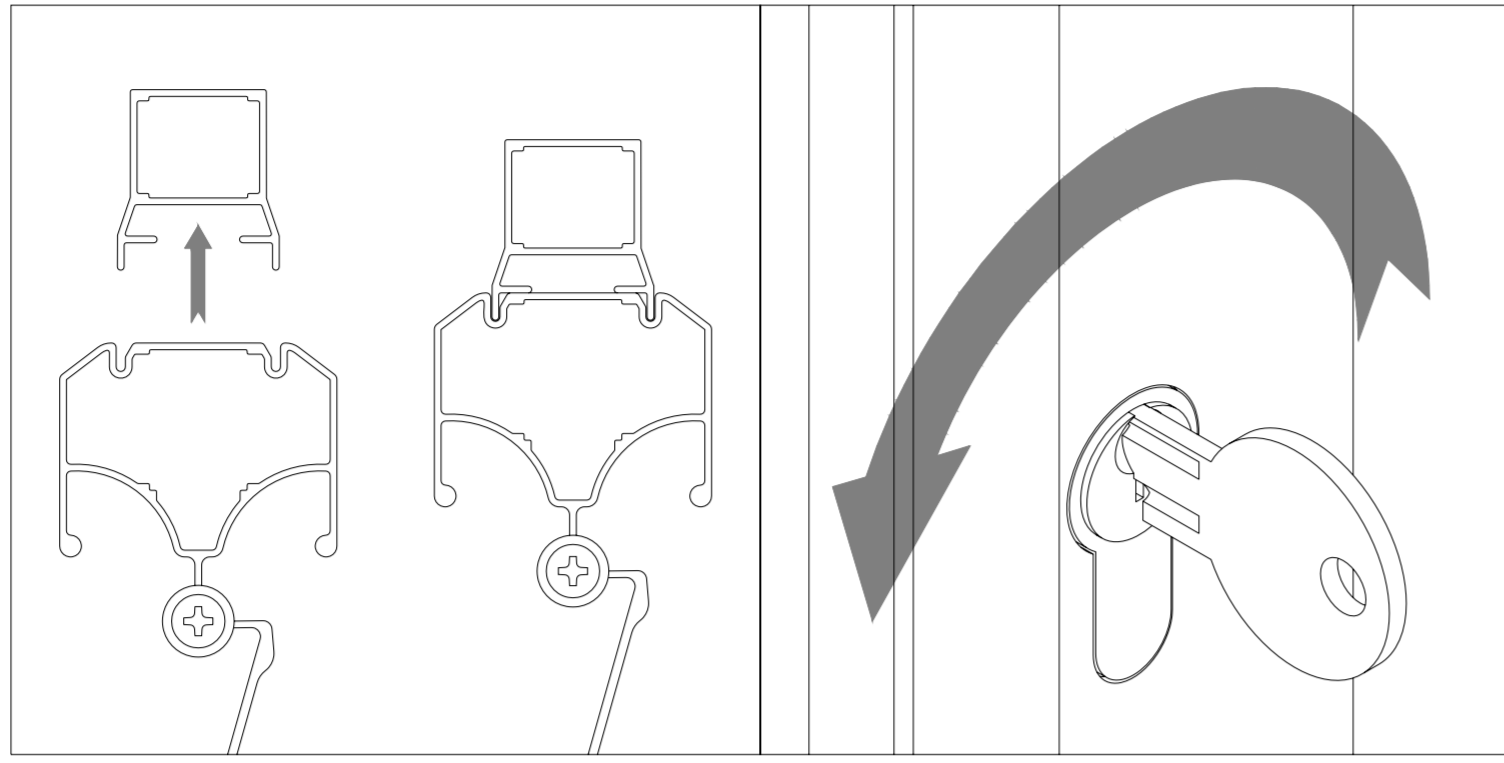
T12/T13/T15/S4  
30



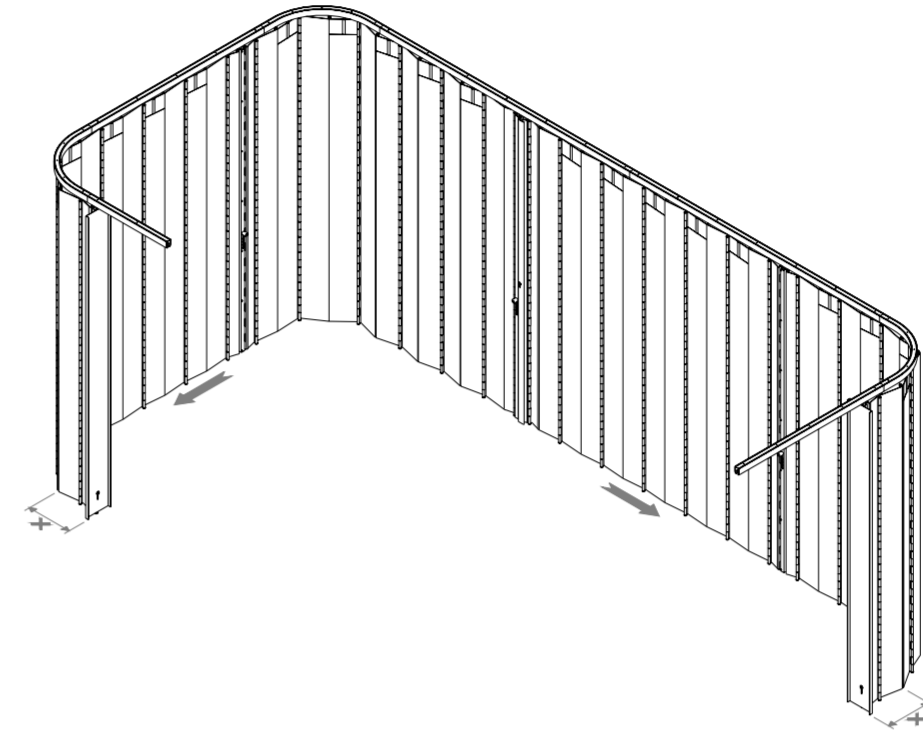
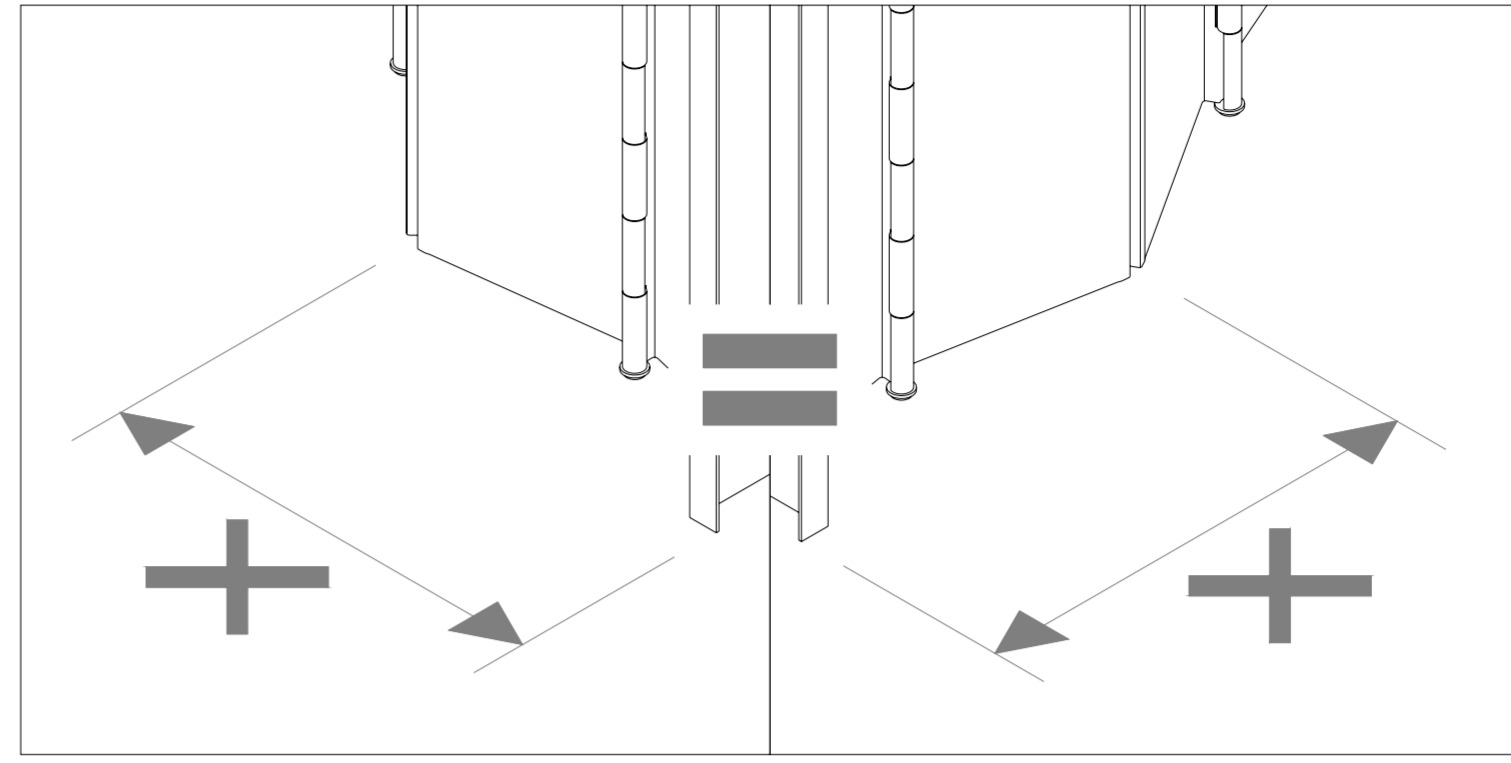
S12

T12/T13/(T16/S1)/(T14/S5/S6)

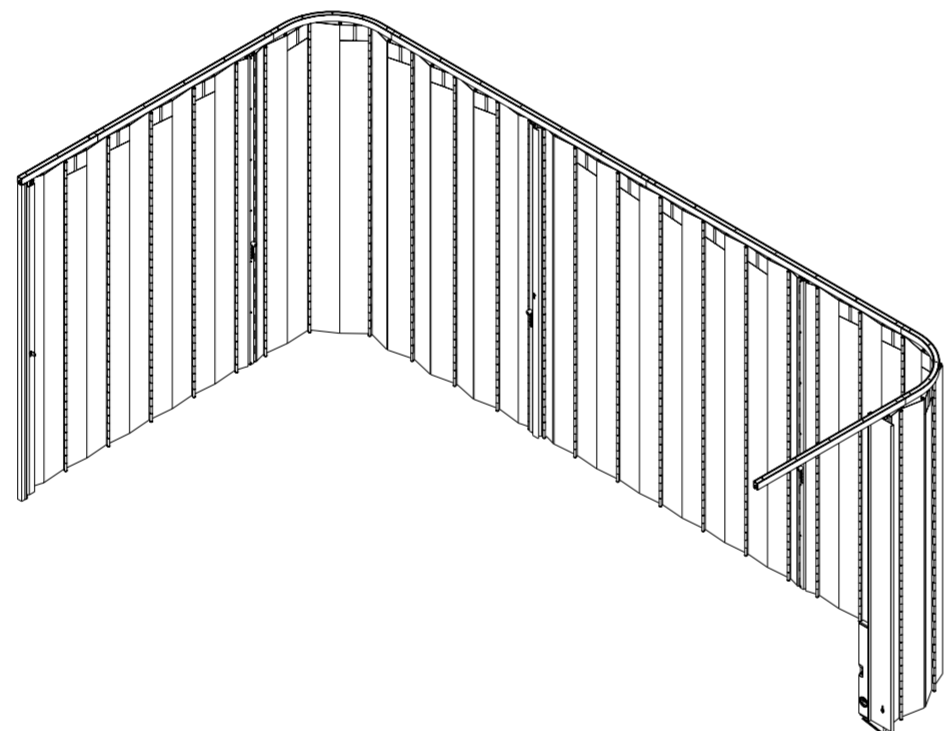
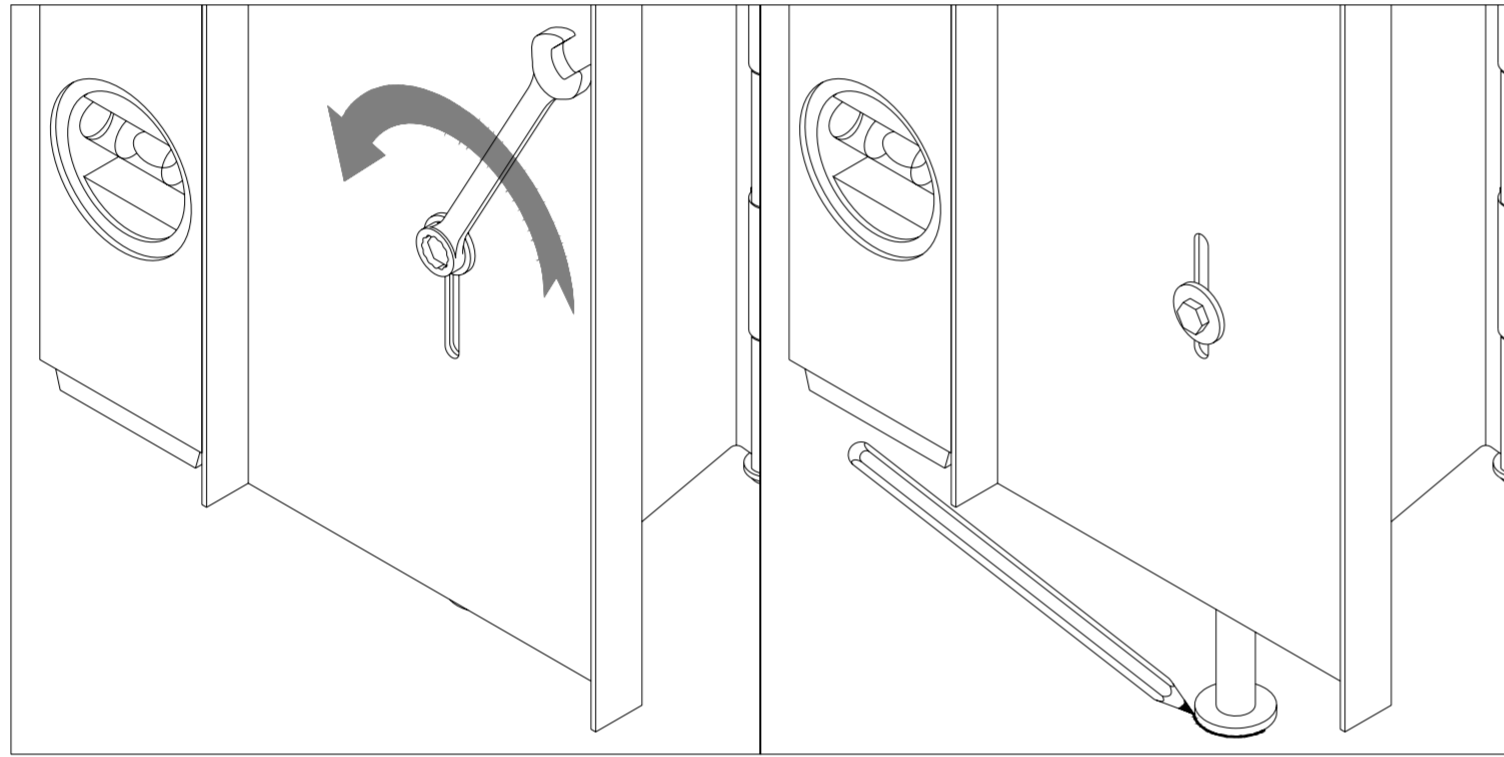
31



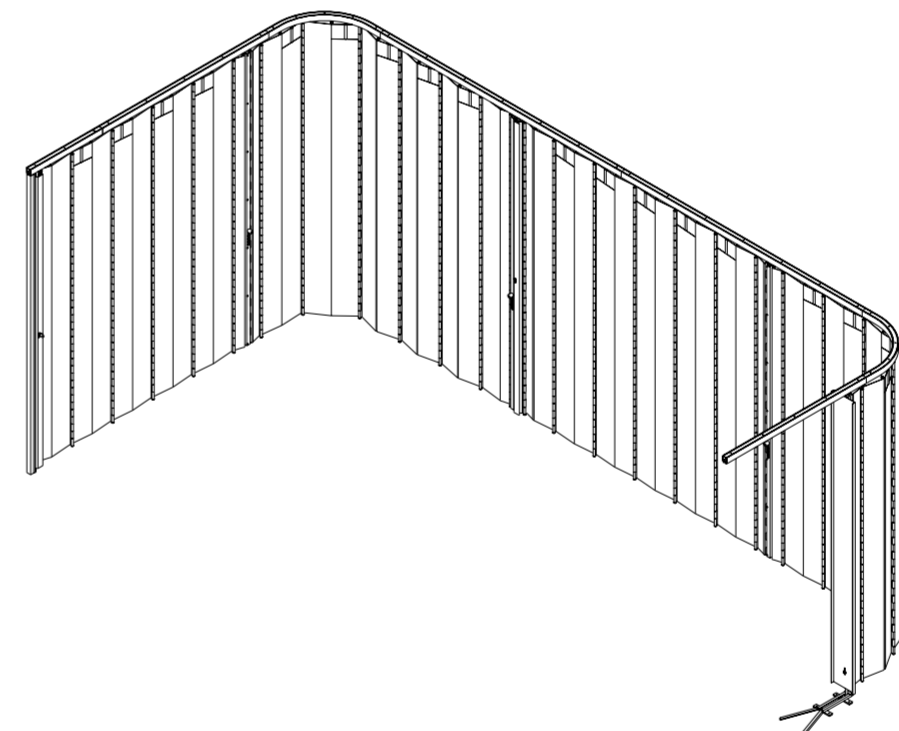
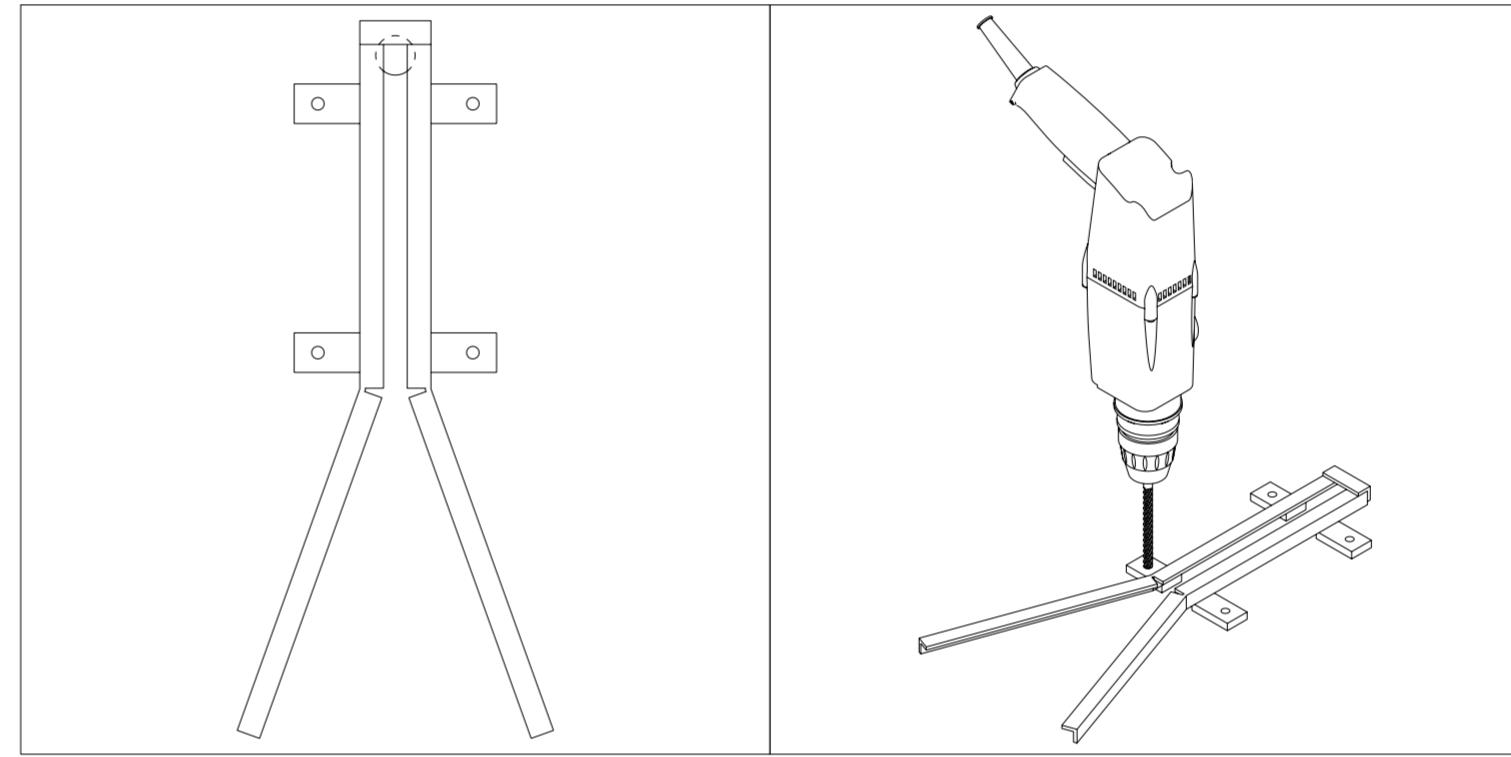
32



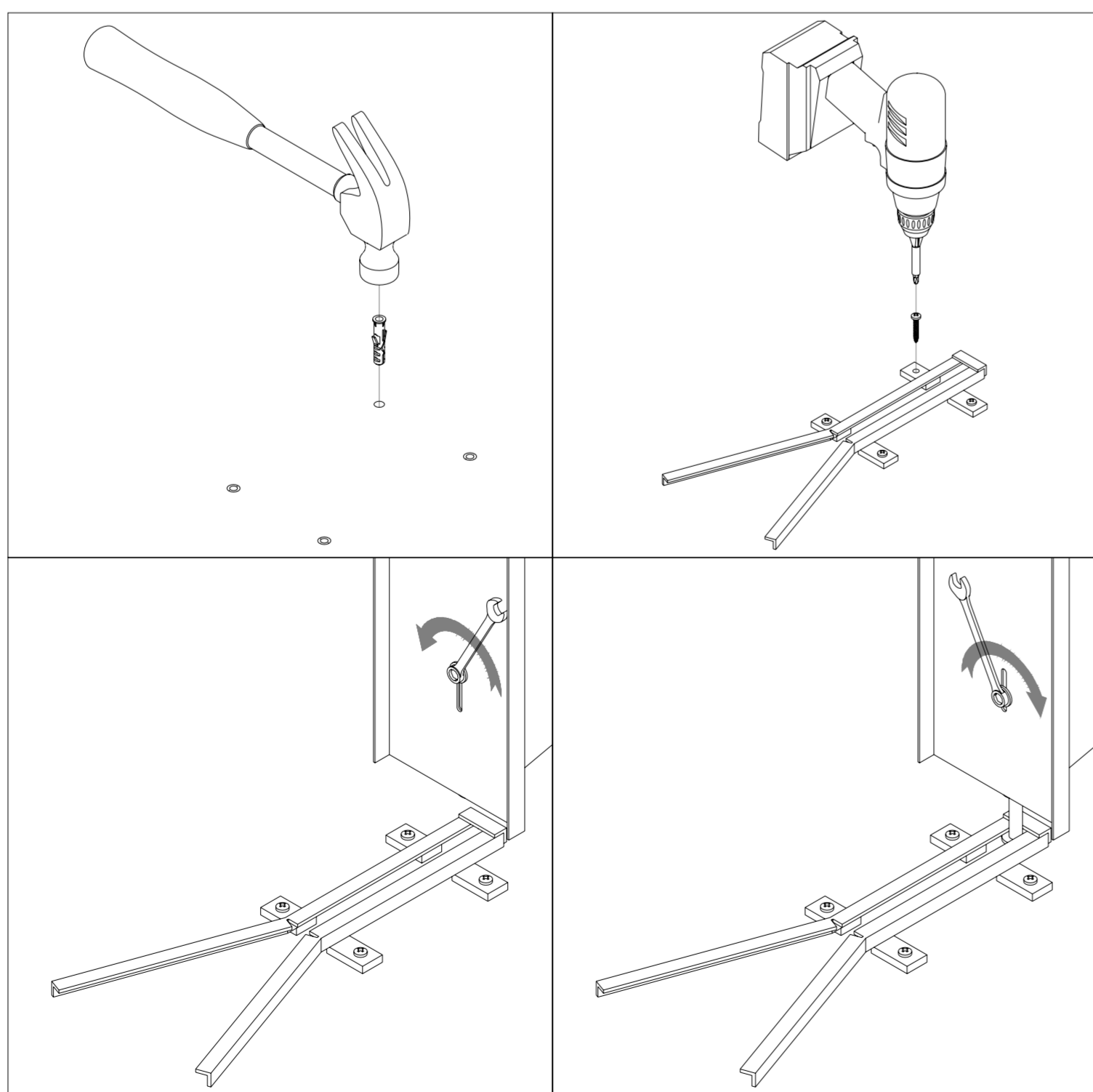
512  
33



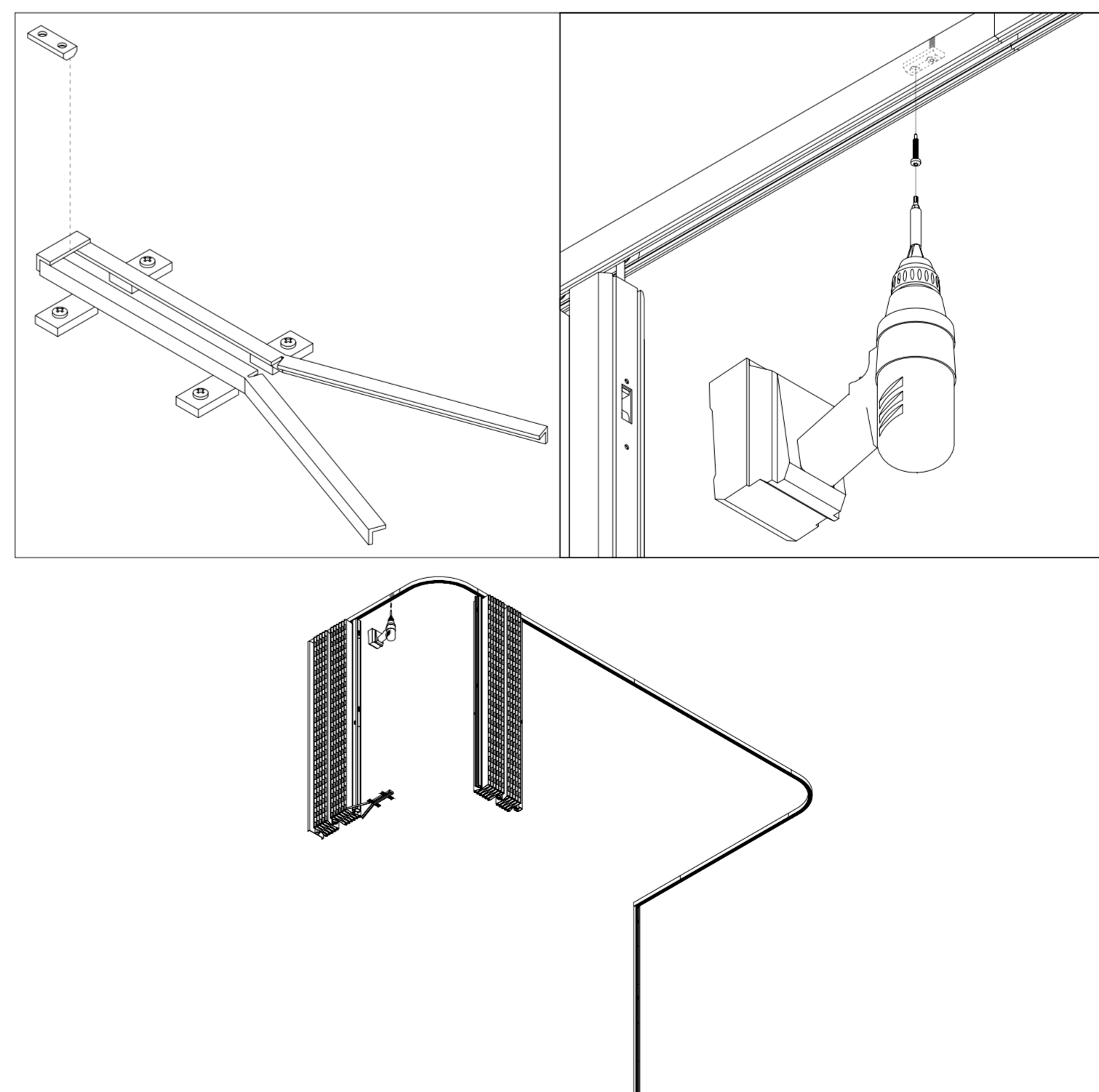
34



T2/T4/T26  
35

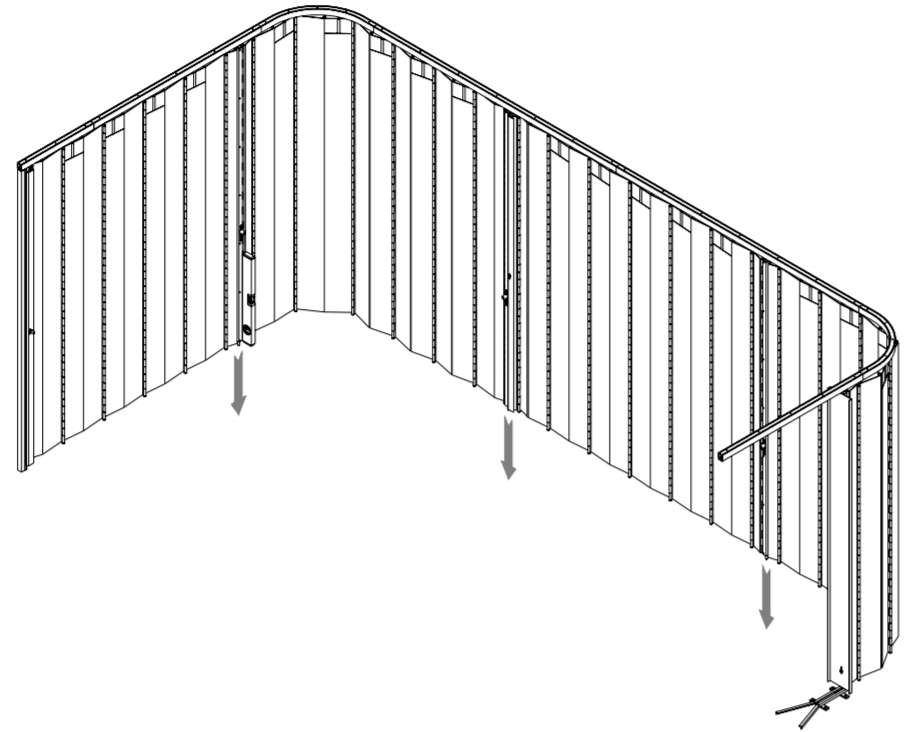
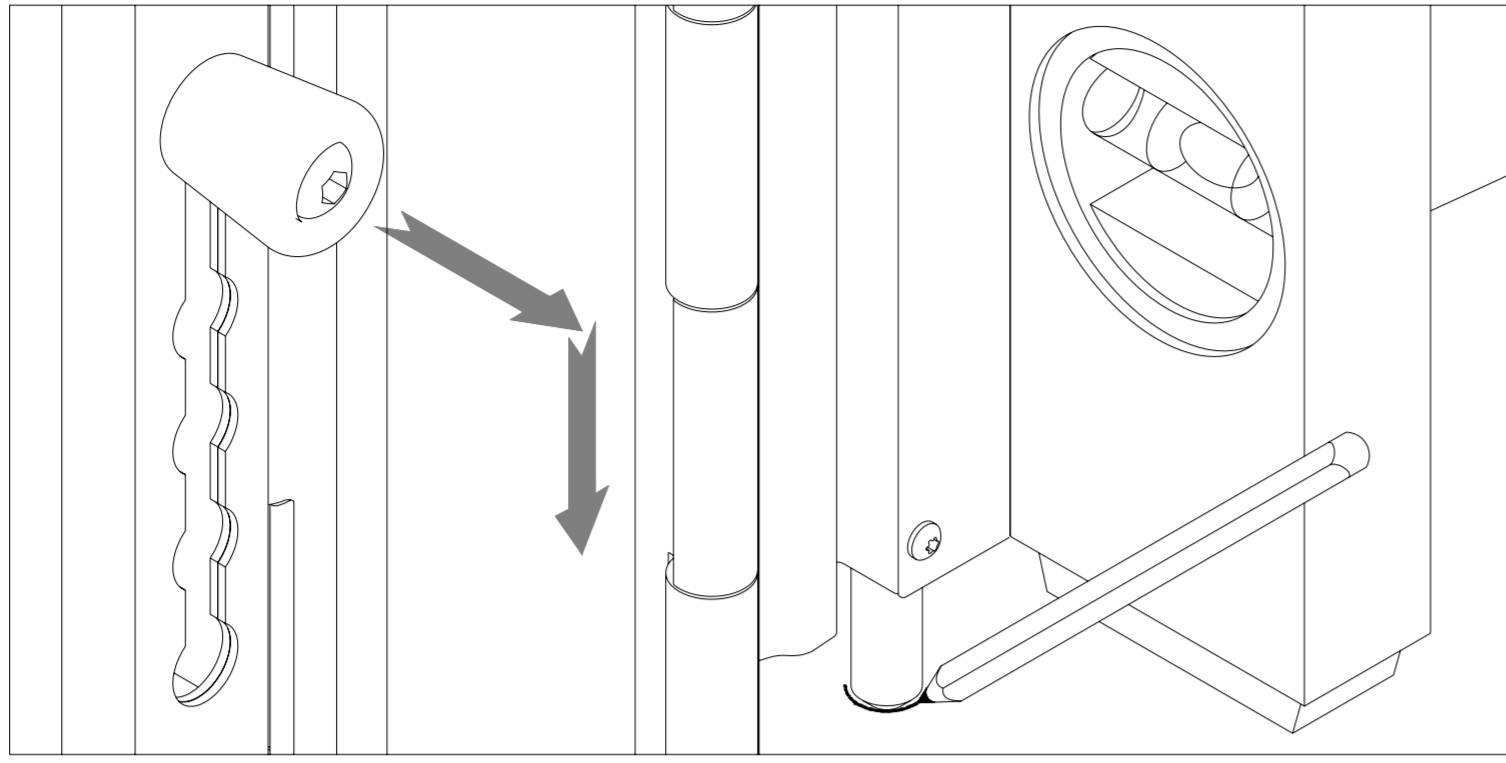


T20/T21/S11  
36



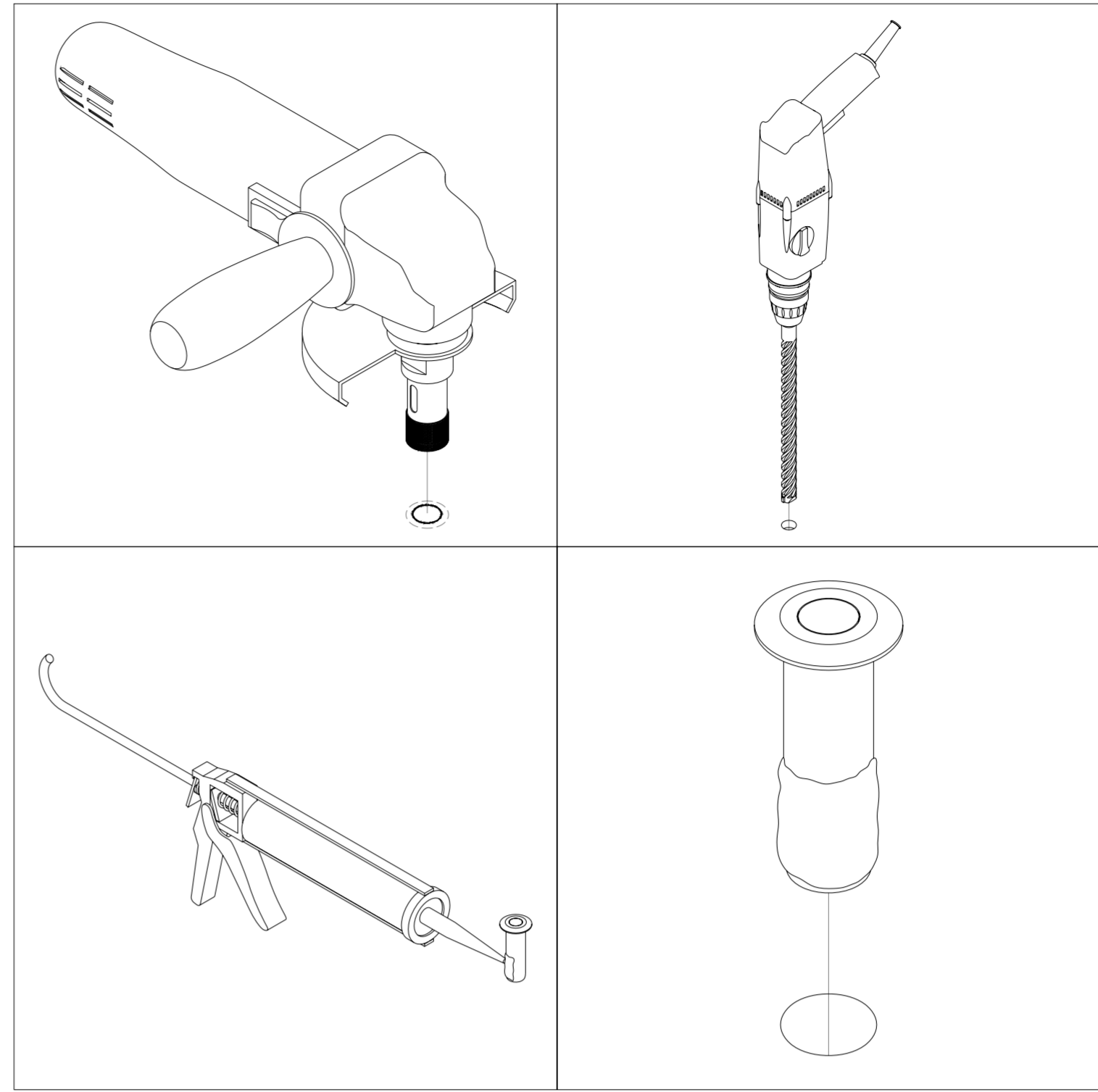
T6/T12/T13/T16/T26/S5/S6/S11 T12/T13/T14/S2/S8

37



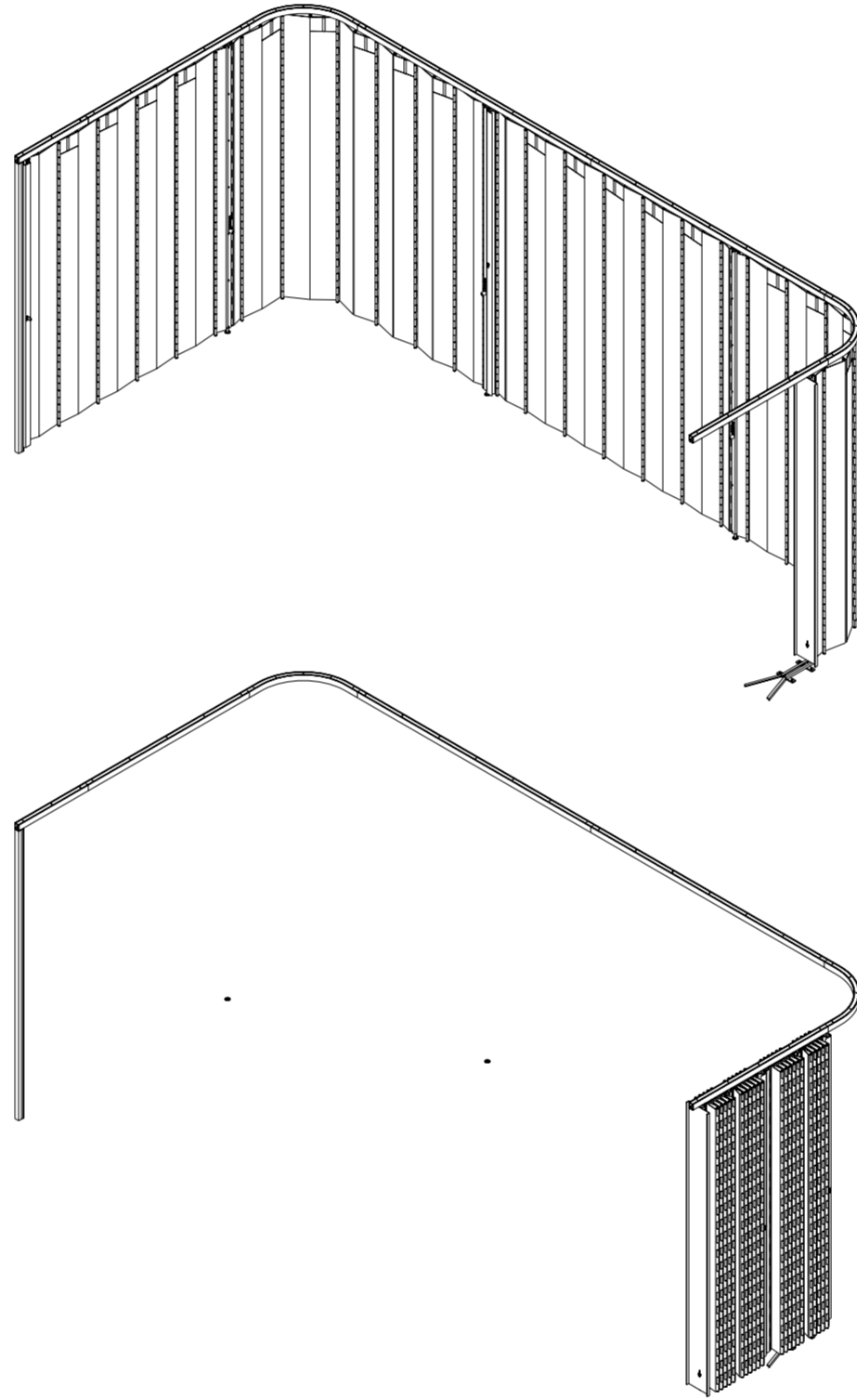
T2/T4

38



T11/T18/T19/T20/T22/S10

39



40

